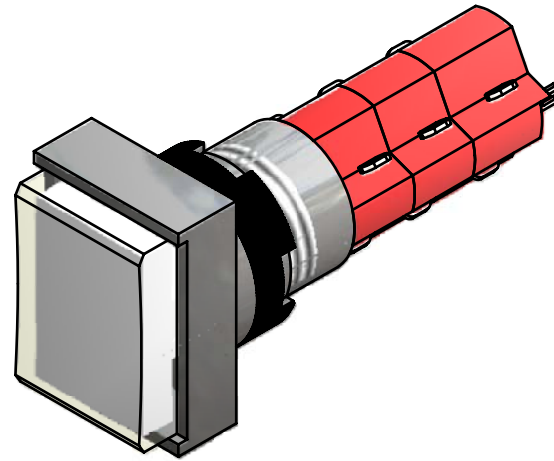
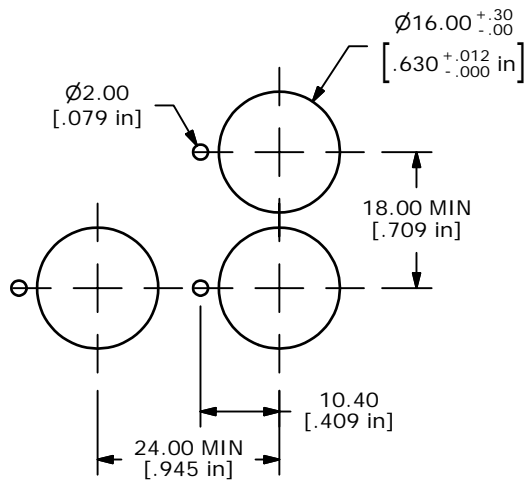


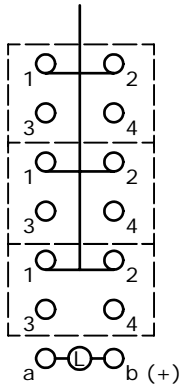
PARTS LIST

ITEM	QTY	PART NUMBER	DESCRIPTION
1	1	F040024	D16EET13
2	1	F050205	WHITE TRANSPARENT RECT. CONCAVE
3	1	F050407	50-004-07 60VAC/DC INCANDESCENT

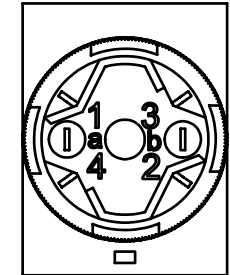
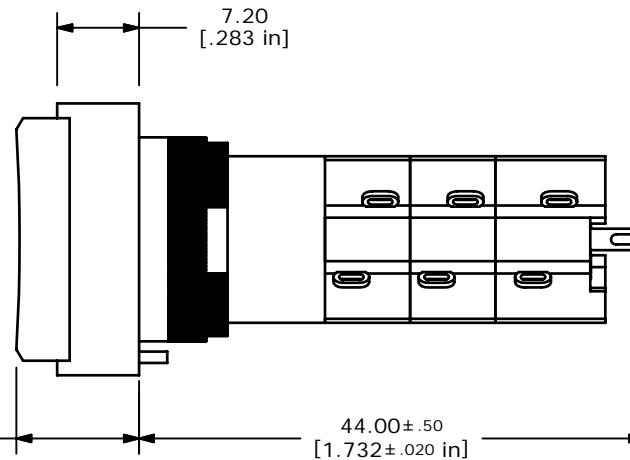
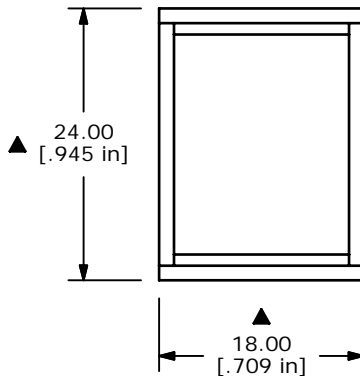


ISOMETRIC

PANEL MOUNTING



CONTACT CONFIGURATION



NOTE:

1. ALL DIMENSIONS IN MM [INCH]
2. GENERAL TOLERANCE: X.X=±0.4  
X.XX=±0.25
3. TERMINAL NUMBERS FOR REF ONLY
4. MECHANICAL LIFE: 2,000,000 OPERATIONS
5. INSULATION RESISTANCE: 1,000 MEG-OHM MIN.
6. OPERATING TEMP.: -25°C to 55°C
- ▲ 7. LAMP VOLTAGE: INCANDESCENT 60V AC/DC 20mA
8. ▲ DENOTES CRITICAL PARAMETER.



REV	PCR NO	DESCRIPTION	DATE	BY
B	16541	REMOVED POWER BUTTON, ADDED TABLE	10/17/2006	TN
A	16524	RELEASED FOR PRODUCTION	10/13/2006	TN

TITLE D16EET13EWHT				
SCALE	DATE	DR	DWG	REV
1.5:1	10/13/2006	TN	XF0690P	B

THE INFORMATION CONTAINED IN THIS DOCUMENT IS PROPRIETARY TO E-SWITCH AND IS NOT TO BE COPIED OR TRANSFERRED