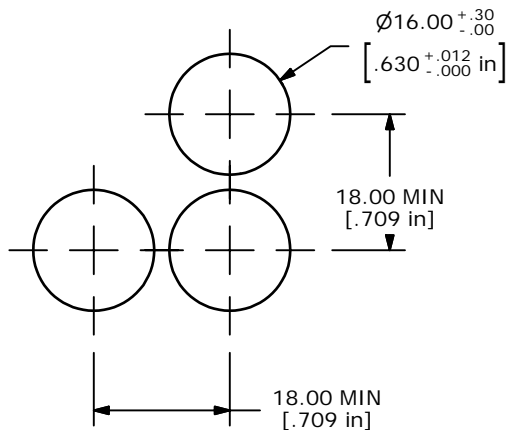
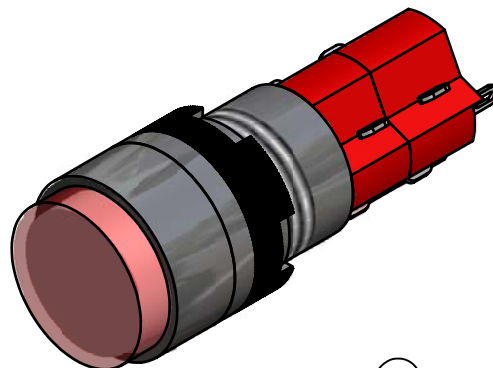
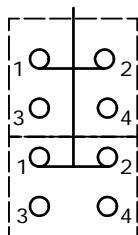


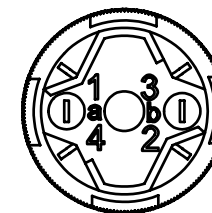
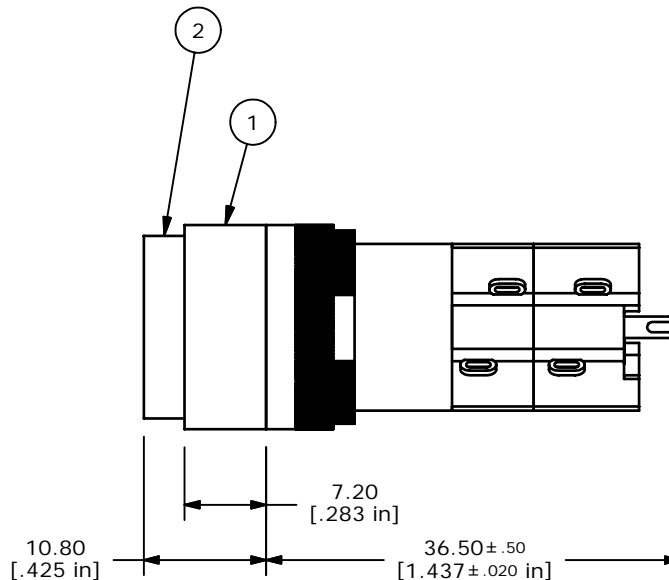
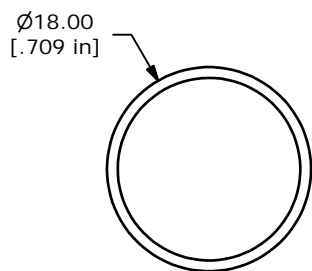
ITEM	QTY	PART NUMBER	DESCRIPTION
1	1	F040027	D16OAR12
2	1	F050104	50-001-04 ROUND RED LENS



PANEL MOUNTING



DPDT
CONTACT CONFIGURATION



NOTE:

1. ALL DIMENSIONS IN MM [INCH]
2. GENERAL TOLERANCE: X.X=±0.4
X.XX=±0.25
3. TERMINAL NUMBERS FOR REF ONLY
4. MECHANICAL LIFE: 2,000,000 OPERATIONS
5. INSULATION RESISTANCE: 1,000 MEGA-OHMS MIN.
6. OPERATING TEMP.: -25°C to 70°C
7. ▲ DENOTES CRITICAL PARAMETER.



TITLE D16OAR120RED

A	15221	RELEASED FOR PRODUCTION	8/30/05	PH
REV	PCR NO	DESCRIPTION	DATE	BY

SCALE	DATE	DR	DWG	REV
2:1	8/30/2005	PH	XF0150P	A

THE INFORMATION CONTAINED IN THIS DOCUMENT IS PROPRIETARY TO E-SWITCH AND IS NOT TO BE COPIED OR TRANSFERRED