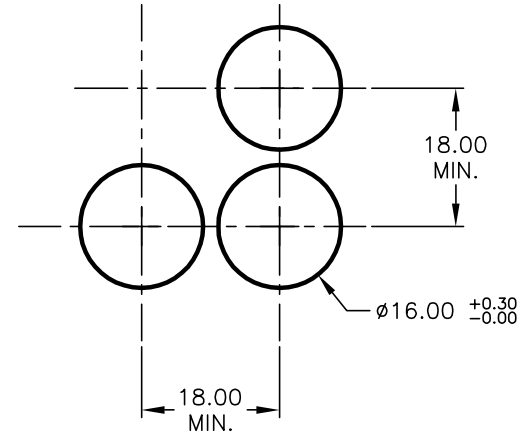


SPST  
CONTACT CONFIGURATION

PARTS LIST			
ITEM	QTY.	PART NO.	PART DESCRIPTION
1	1	F040009	D16 OA R1 1
2	1	F050411	50-004-11 (GREEN NEON bulb)
3	1	F051211	50-012-11 (Transparent GREEN)



RECOMMENDED PANEL MOUNTING  
SCALE 1:1

- NOTES:
- ALL DIMENSIONS IN MM
  - GENERAL TOLERANCE: X.X=±0.4  
X.XX=±0.25
  - RATINGS: 5A @250V AC;  
8A @125V AC
  - CONTACT MATERIAL:  
COPPER ALLOY W/SILVER PLATING
  - LAMP VOLTAGE: 110V AC NEON
  - ▲ DENOTES CRITICAL PARAMETER.

**E-SWITCH®**

TITLE		D16OAR1FGRNGRN (Momentary)		
SCALE	DATE	DR	DWG	REV
1.5:1	9/23/03	AR	XF0567P	A

A	13483	RELEASED FOR PRODUCTION	9/23/03	AR
REV.	ECN No.	DESCRIPTION	DATE	CHKD

THE INFORMATION CONTAINED IN THIS DOCUMENT IS PROPRIETARY TO E-SWITCH AND IS NOT TO BE COPIED OR TRANSFERRED