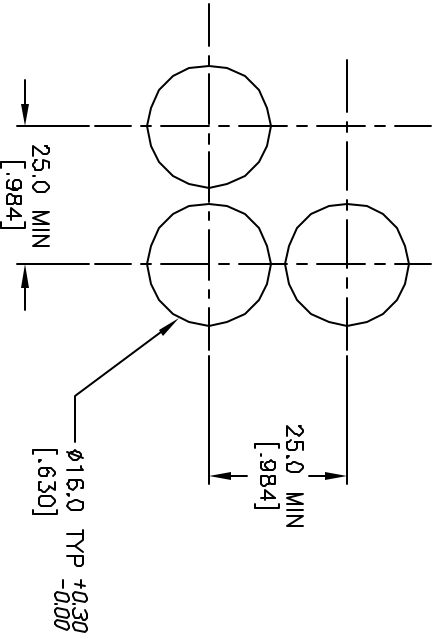
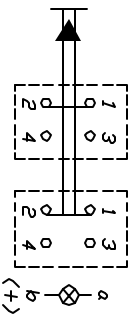


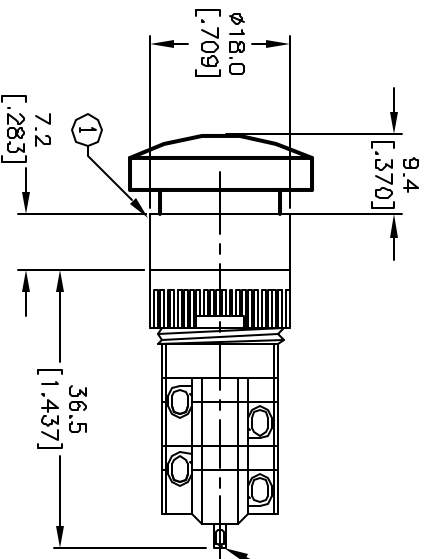
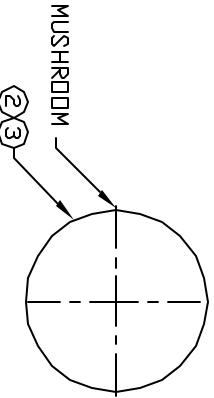
ITEM	QTY.	PART NO.	PART DESCRIPTION
1	1	F040027	D16 DA R12
2	1	F050423	50-004-23 (RED LED)
3	1	F051212	50-012-12 (RED LENS TRANSPARENT)



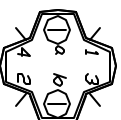
RECOMMEND PANEL MOUNTING



CIRCUIT: DPST
CONTACT CONFIGURATION



2.10 X 0.90
[.083 X .035]
SEE NOTE 7



NOTES:

1. ALL DIMENSIONS IN MM [INCH]
2. GENERAL TOLERANCE: X.X=±0.4
X.XX=±0.25
3. TERM. NOS. FOR REFERENCE ONLY.
4. RATING: 5A@250V AC / 8A@125V AC
5. MECHANICAL LIFETIME: >2 MILLION OPERATIONS
6. TRAVEL: 3.0MM
7. CONTACT MATERIAL: COPPER ALLOY W/SILVER PLATING
8. LAMP VOLTAGE: 28V AC 40mA

REV.	ECN No.	DESCRIPTION	DATE	CHK'D
A	13325	RELEASED FOR PRODUCTION	7/29/03	AR

TITLE	SCALE	DATE	DR	DWG	REV
D16 DA R2 K RED RED (MOMENTARY)	1.5:1	7/29/03	AR	XF0414P	A

E-SWITCH®

THE INFORMATION CONTAINED IN THIS DOCUMENT IS PROPRIETARY TO E-SWITCH AND IS NOT TO BE COPIED OR TRANSMITTED