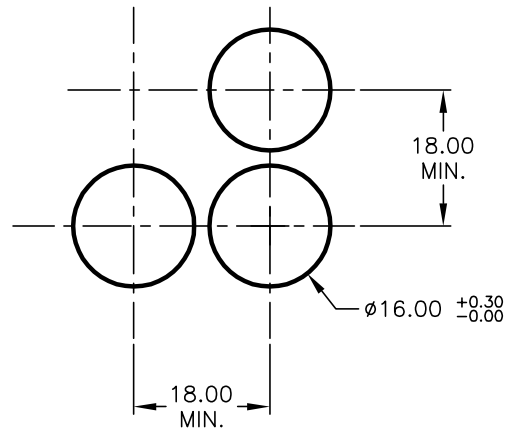


SPST
CONTACT CONFIGURATION

PARTS LIST			
ITEM	QTY.	PART NO.	PART DESCRIPTION
1	1	F040008	D16 OA S1 1
2	1	F050423	50-004-23 (RED L.E.D.)
3	1	F050304	50-003-04 (Transparent RED lens)



RECOMMENDED PANEL MOUNTING
SCALE 1:1

NOTES:

1. ALL DIMENSIONS IN MM
2. GENERAL TOLERANCE: X.X= ± 0.4
X.XX= ± 0.25
3. RATINGS: 5A @250V AC
8A @125V AC
4. TRAVEL: 3.0mm
5. CONTACT MATERIAL:
COPPER ALLOY W/Silver Plating
6. LAMP VOLTAGE: 24V DC L.E.D.

E-SWITCH®				
TITLE				
D16OAS11KREDRED				
SCALE	DATE	DR	DWG	REV
1.5:1	2/3/04	AR	XF0579P	A
REV.	ECN No.	DESCRIPTION	DATE	CHKD
A	13745	RELEASE FOR PRODUCTION	2/3/04	AR
<small>THE INFORMATION CONTAINED IN THIS DOCUMENT IS PROPRIETARY TO E-SWITCH AND IS NOT TO BE COPIED OR TRANSFERRED</small>				