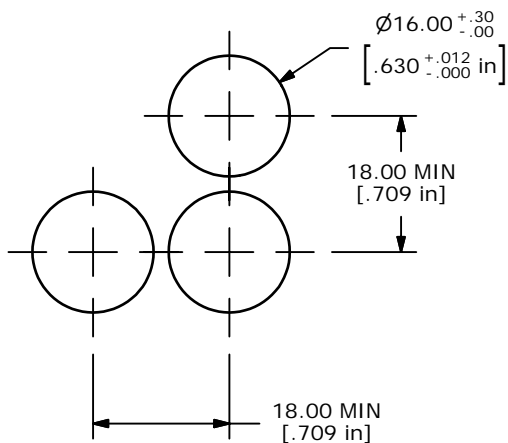
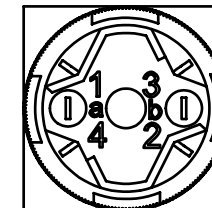
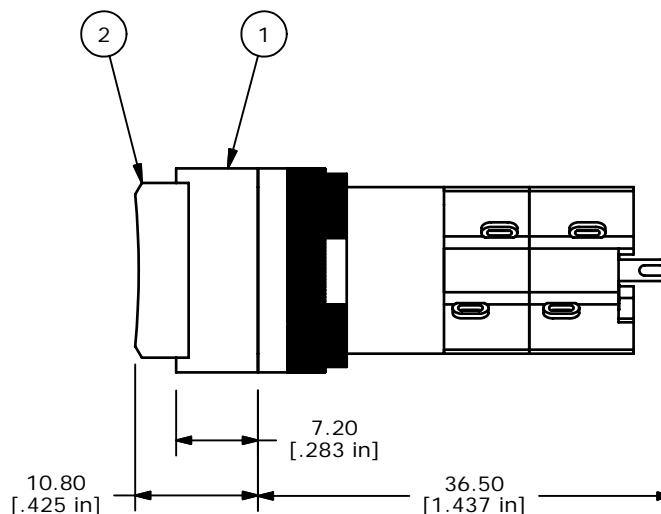
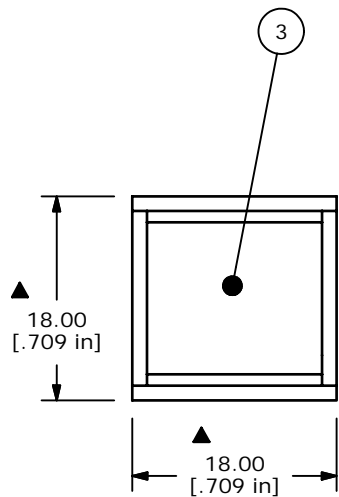
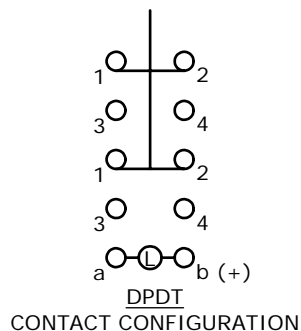
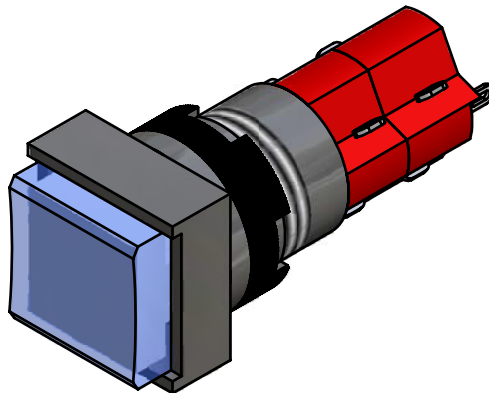


ITEM	QTY	PART NUMBER	DESCRIPTION
1	1	F040031	D16OAS12
2	1	F050302	50-003-02 LENS, SQUARE, CONCAVE, GREEN
3	1	F050404	50-004-04 LAMP, INCANDESCENT, 14V AC/DC, 80mA



PANEL MOUNTING



NOTE:

- ALL DIMENSIONS IN MM [INCH].
- GENERAL TOLERANCE: X.X=±0.4
X.XX=±0.25
- TERMINAL NUMBERS FOR REF ONLY.
- RATING: 5A @ 250VAC
6A @ 24VDC
- ELECTRICAL LIFE: 25,000 OPERATIONS
- INSULATION RESISTANCE: 1,000 MEGA-OHM MIN.
- OPERATING TEMP.: -25°C to +55°C
- LAMP VOLTAGE: 14V AC/DC INCANDESCENT
- ▲ DENOTES CRITICAL PARAMETER.



A	15944	RELEASED FOR PRODUCTION	4/13/06	BK
REV	PCR NO	DESCRIPTION	DATE	BY

TITLE D16OAS12BGRN				
SCALE	DATE	DR	DWG	REV
1.5:1	04/13/06	BK	XF0672P	A

THE INFORMATION CONTAINED IN THIS DOCUMENT IS PROPRIETARY TO E-SWITCH AND IS NOT TO BE COPIED OR TRANSFERRED