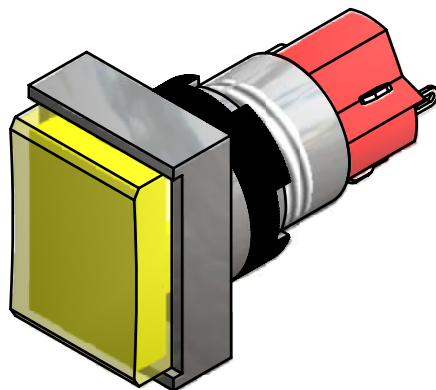
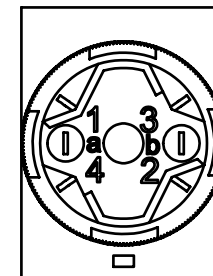
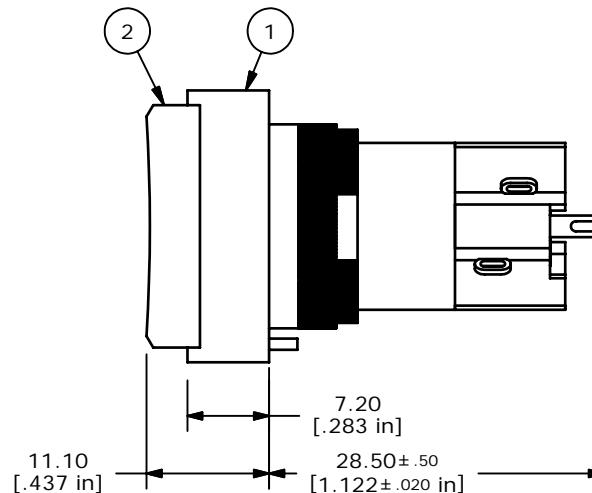
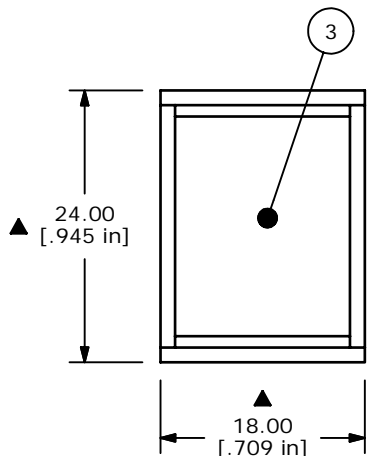
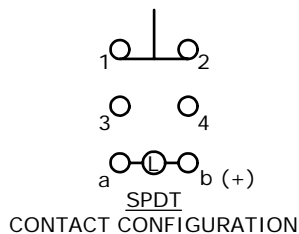


PANEL MOUNTING



PARTS LIST			
ITEM	QTY	PART NUMBER	DESCRIPTION
1	1	F040007	D16OAT11
2	1	F050424	5000424 24VDC YEL LED
3	1	F050206	5000206 TRANSPARENT YEL LENS



NOTE:

1. ALL DIMENSIONS IN MM [INCH]
2. GENERAL TOLERANCE: X.X=±0.4
X.XX=±0.25
3. TERMINAL NUMBERS FOR REF ONLY
4. RATING: 5A @ 250 VAC
6A @ 24 VDC
5. ELECTRIC LIFE: 50,000 MAKE-AND-BREAK CYCLES AT FULL LOAD.
6. INSULATION RESISTANCE: 1,000 MEGA-OHM MIN.
7. OPERATING TEMP.: -20°C to 55°C
- ▲ 8. LAMP VOLTAGE: 24V DC
9. ▲ DENOTES CRITICAL PARAMETER.
10. 2002/05/EC (ROHS) COMPLIANT.
11. PACKAGE: BOX/20 PIECES PER BOX

E-SWITCH®

A	16787	RELEASED FOR PRODUCTION	12/22/06	TN
REV	PCR NO	DESCRIPTION	DATE	BY

TITLE D16OAT11KYELYEL				
SCALE	DATE	DR	DWG	REV
1.5:1	12/22/2006	TN	XF0702P	A

THE INFORMATION CONTAINED IN THIS DOCUMENT IS PROPRIETARY TO E-SWITCH AND IS NOT TO BE COPIED OR TRANSFERRED