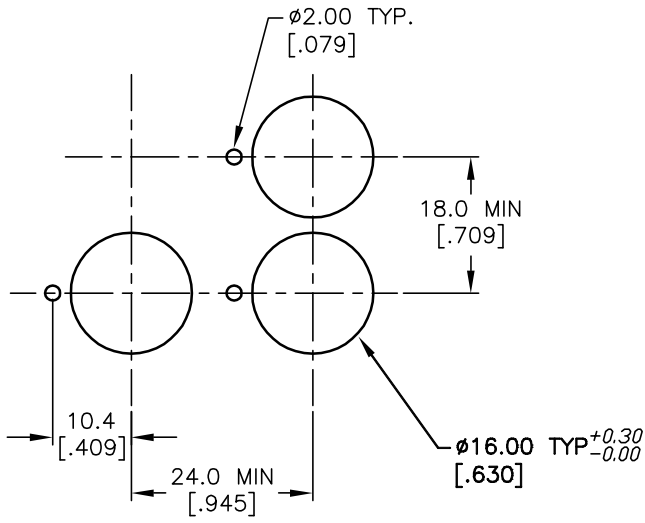
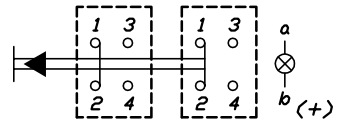


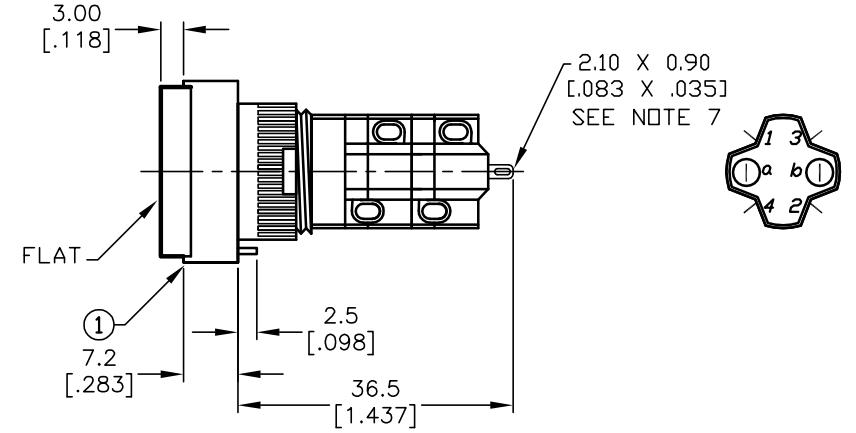
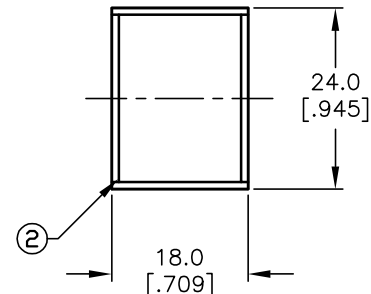
PARTS LIST			
ITEM	QTY.	PART NO.	PART DESCRIPTION
1	1	F040035	D16 OA T12
2	1	F050211	50-002-11 (BLU LENS TRANSPARENT)



RECOMMEND PANEL MOUNTING



CIRCUIT: DPST
CONTACT CONFIGURATION



NOTES:

- ALL DIMENSIONS IN MM [INCH]
- GENERAL TOLERANCE: X.X=±0.4
X.XX=±0.25
- TERM. NOS. FOR REFERENCE ONLY.
- RATING: 5A@250V AC / 8A@125V AC
- MECHANICAL LIFETIME: >2 MILLION OPERATIONS
- TRAVEL: 3.0MM
- CONTACT MATERIAL: COPPER ALLOY W/SILVER PLATING

E-SWITCH®

A	13463	RELEASED FOR PRODUCTION	9/18/03	AR
REV.	ECN No.	DESCRIPTION	DATE	CHKD

TITLE				
D16 OA T12 0 BLU (MOMENTARY)				
SCALE	DATE	DR	DWG	REV
1.5:1	9/18/03	AR	XF0267P	A

THE INFORMATION CONTAINED IN THIS DOCUMENT IS PROPRIETARY TO E-SWITCH AND IS NOT TO BE COPIED OR TRANSFERRED