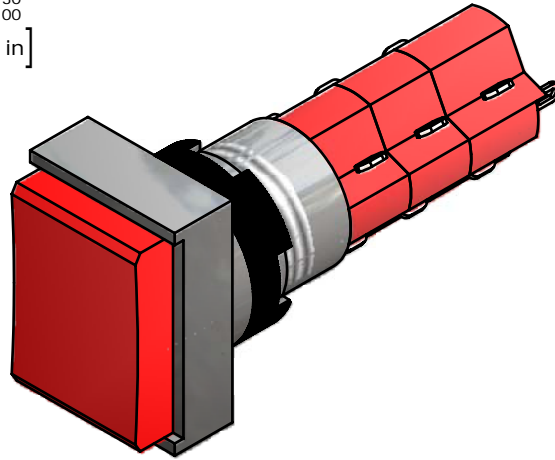
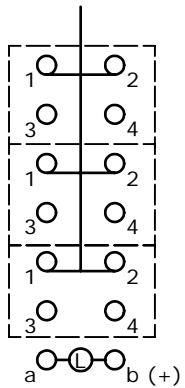


PANEL MOUNTING



ISOMETRIC

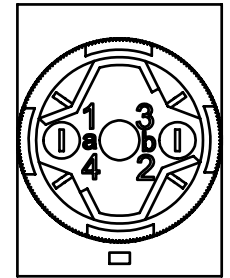
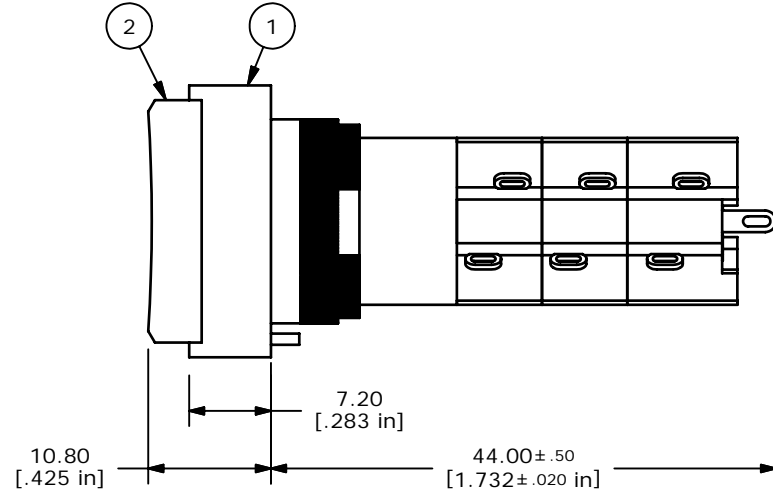
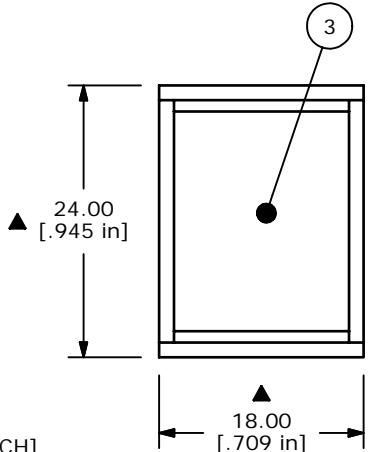
| PARTS LIST | | | |
|------------|-----|-------------|------------------------------|
| ITEM | QTY | PART NUMBER | DESCRIPTION |
| 1 | 1 | F040036 | D16OAT13 |
| 2 | 1 | F050423 | 5000423 24VDC RED LED |
| 3 | 1 | F050204 | 5000204 TRANSPARENT RED LENS |



3PDT CONTACT CONFIGURATION

NOTE:

1. ALL DIMENSIONS IN MM [INCH]
2. GENERAL TOLERANCE: X.X=±0.4
X.XX=±0.25
3. TERMINAL NUMBERS FOR REF ONLY
4. RATING: 5A @ 250 VAC
6A @ 24 VDC
5. ELECTRIC LIFE: 50,000 MAKE-AND-BREAK CYCLES AT FULL LOAD.
6. INSULATION RESISTANCE: 1,000 MEGA-OHM MIN.
7. OPERATING TEMP.: -20°C to 55°C
- ▲ 8. LAMP VOLTAGE: 24V DC
9. ▲ DENOTES CRITICAL PARAMETER.
10. 2002/05/EC (ROHS) COMPLIANT.



E-SWITCH®

| | | | | |
|-----|--------|-------------------------|------------|----|
| B | 16554 | CORRECTED PARTS LIST | 10/20/2006 | TN |
| A | 16534 | RELEASED FOR PRODUCTION | 10/19/2006 | TN |
| REV | PCR NO | DESCRIPTION | DATE | BY |

| | | | | |
|-----------------------|------------|----|---------|-----|
| TITLE D16OAT13KREDRED | | | | |
| SCALE | DATE | DR | DWG | REV |
| 1.5:1 | 10/19/2006 | TN | XF0696P | B |