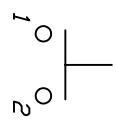
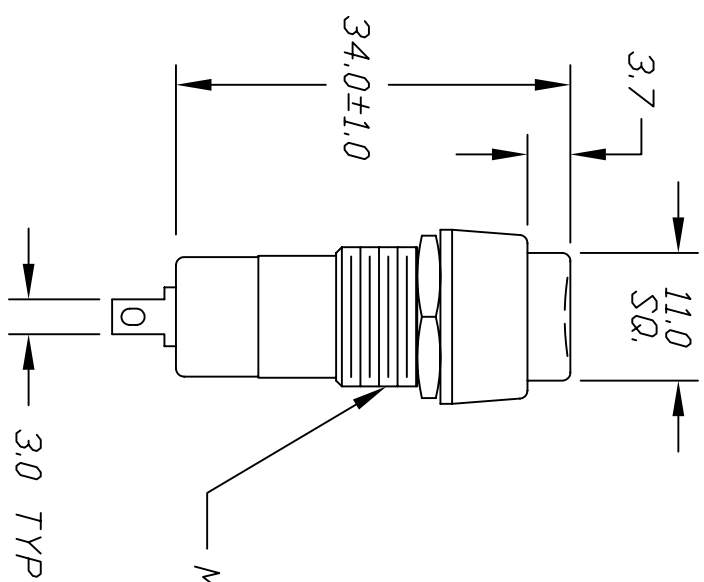
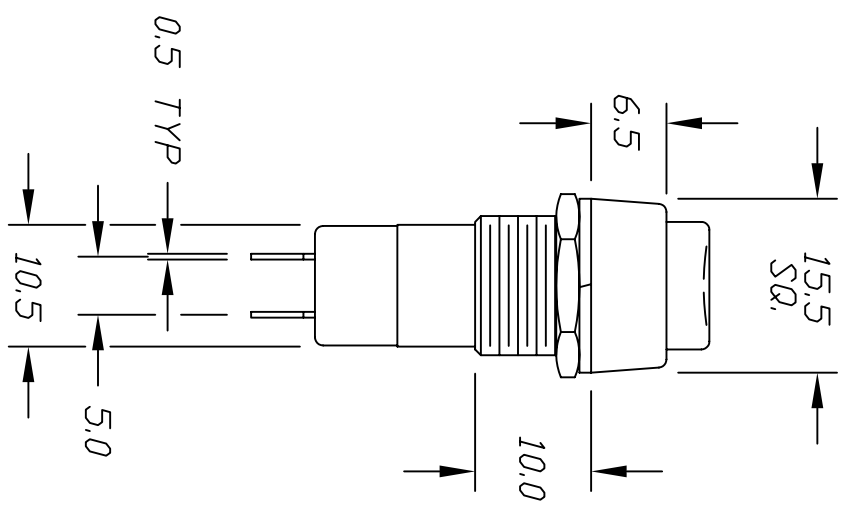


PANEL LAYOUT



CONTACT CONFIGURATION

SPST



() = Momentary

NOTES:

1. ALL DIMENSIONS IN MM
2. TERM. NOS. FOR REF. ONLY

REV.	DESCRIPTION	DATE	CHKD
A	RELEASED FOR PRODUCTION		

TOLERANCES	
0.0	±0.4
0.00	±0.25

TITLE		SCALE	DATE	DR	DWG	REV
PS 1023 A (RED BUTTON)		1.5:1	8/30/96	MM	F010234	A

E-SWITCH

THE INFORMATION CONTAINED IN THIS DOCUMENT IS PROPRIETARY TO E-SWITCH AND IS NOT TO BE COPIED OR TRANSFERRED