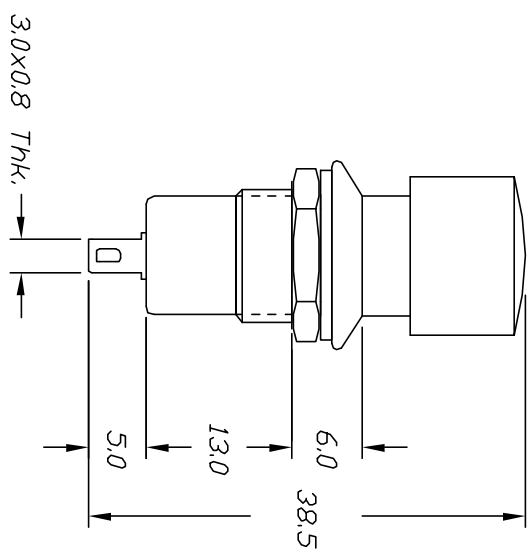
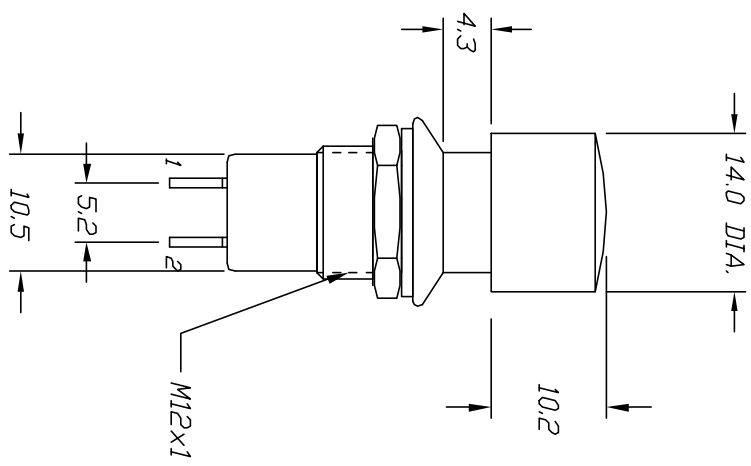
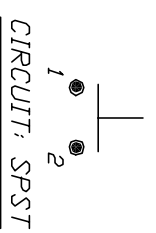


RECOMMEND PANEL LAYOUT



CONTACT CONFIGURATION



CIRCUIT: SPST

DFE (DN)

< > = Momentary

NOTES:

1. ALL DIMENSIONS IN MM
2. TERM. NDS. FOR REF ONLY
3. RATING: 3A 125VAC

| TOLERANCES | | TITLE | | SCALE | | DATE | | DR | | DWG | | REV | |
|--|-------|-----------------------|--|-------|--------|------|----|---------|--|-----|--|-----|--|
| 0.0 | ±0.4 | PS 1040A (RED BUTTON) | | 1.5:1 | 3/4/97 | | MM | F010400 | | A | | | |
| 0.00 | ±0.25 | | | | | | | | | | | | |
| RELEASED FOR PRODUCTION | | DATE | | CHKD | | | | | | | | | |
| THE INFORMATION CONTAINED IN THIS DOCUMENT IS PROPRIETARY TO E-SWITCH AND IS NOT TO BE COPIED OR TRANSMITTED | | | | | | | | | | | | | |

E-SWITCH®