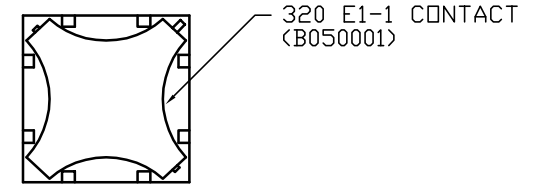
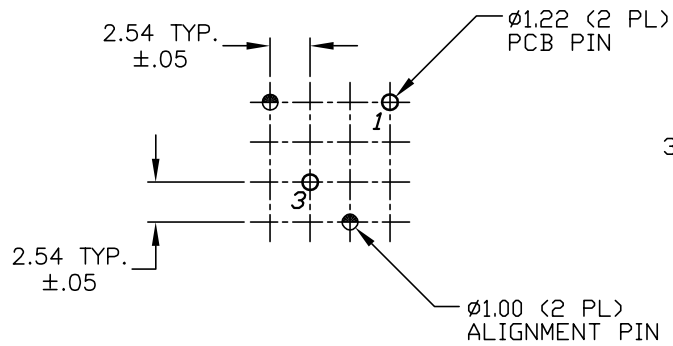
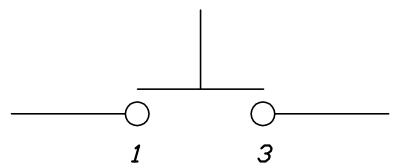


TOP VIEW -SHOW ORIENTATION OF LEGENDS
IN RESPECT TO THE PCB PIN TERMINALS.

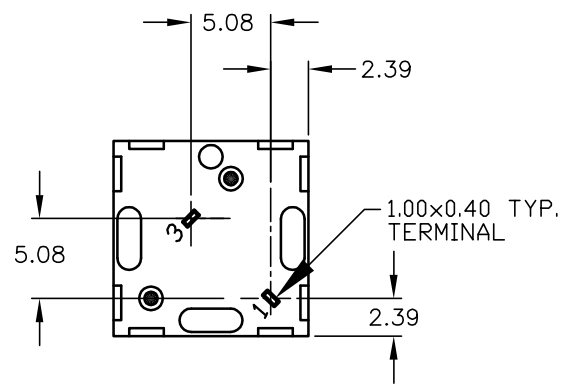
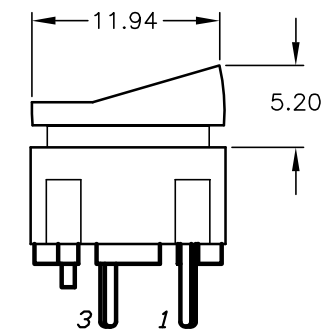
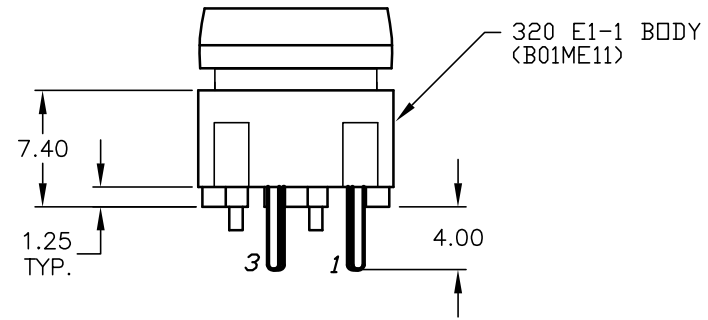
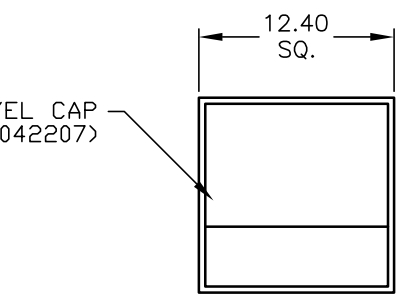


SHOWN CAP REMOVED

RECOMMENDED P.C.B. LAYOUT



CIRCUIT: SPST
CONTACT CONFIGURATION



- NOTES:
1. ALL DIMENSIONS IN MM
 2. GENERAL TOLERANCE: X.X=±0.4
X.XX=±0.25
 3. TERMINAL NO'S FOR REFERENCE ONLY.
 4. RATING: 25mA, @50VDC
 5. OPERATING FORCE: 120gF
 6. TRAVEL TO MAKE: 0.7mm

E-SWITCH®

TITLE					320.22 E1-1 YEL									
SCALE	2:1		DATE	4/1/05		DR	AR		DWG	XB0021A		REV	A	

THE INFORMATION CONTAINED IN THIS DOCUMENT IS PROPRIETARY TO E-SWITCH AND IS NOT TO BE COPIED OR TRANSFERRED

A	14816	RELEASED FOR PRODUCTION	4/1/05	AR
REV.	ECN No.	DESCRIPTION	DATE	CHKD