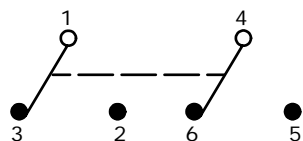


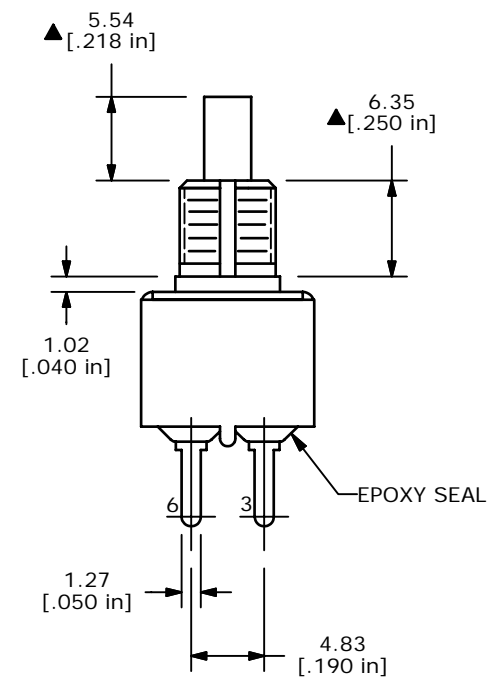
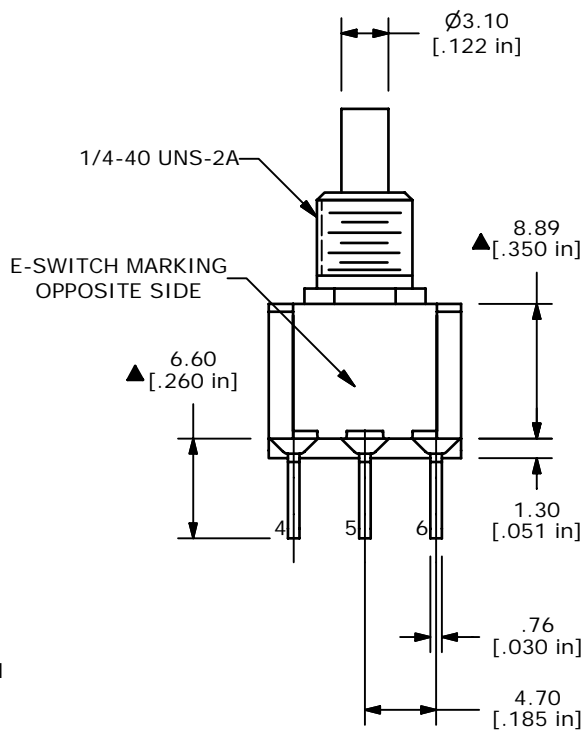
ISOMETRIC

SWITCH FUNCTION	
POS. 1	POS. 2
ON	(ON)
1-3, 4-6	1-2, 4-5

() = MOMENTARY



CIRCUIT: DPST



NOTES:

1. ALL DIMENSIONS IN MM [INCH]
2. GENERAL TOLERANCE: X.X±0.4
X.XX±0.25
3. TERMINAL NUMBERS FOR REFERENCE ONLY
4. CONTACT MATERIAL: SILVER
- ▲5. RATING: 3A @ 120 VAC OR 28 VDC
1A @ 250 VAC
6. ELECTRIC LIFE: 50,000 make-and-break cycles at full load
7. INSULATED RESISTANCE: 1,000mOHM MIN.
8. DIELECTRIC STRENGTH: 1,000V RMS @ sea level
9. OPERATING TEMPERATURE: -30°C to 85°C
10. ▲ DENOTES CRITICAL PARAMETER
11. 2002/95/EC (ROHS) COMPLIANT



C	17235	FIXED DRAWING	4/27/07	TN
B	16423	REDRAWN IN INVENTOR FORMAT	9/11/06	BO
REV	PCR NO	DESCRIPTION	DATE	BY

TITLE 700DP7B10M2QE				
SCALE 2:1	DATE 4/27/2007	DR TN	DWG T721005	REV C

THE INFORMATION CONTAINED IN THIS DOCUMENT IS PROPRIETARY TO E-SWITCH AND IS NOT TO BE COPIED OR TRANSFERRED