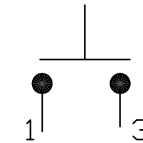
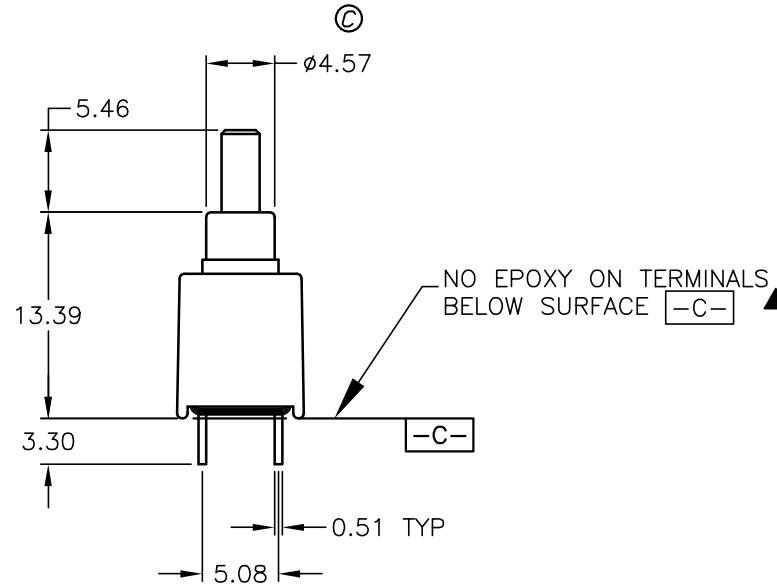
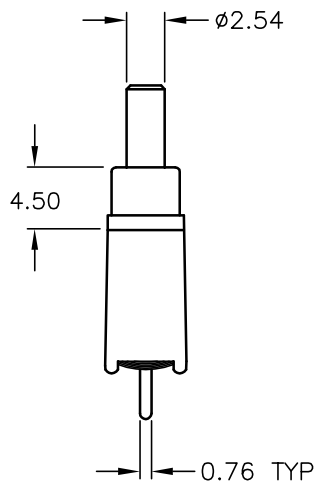
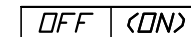


RECOMMENDED PCB LAYOUT



CIRCUIT:SPST
CONTACT CONFIGURATION



()=MOMENTARY

NOTES:

1. ALL DIMENSIONS IN MM
2. GENERAL TOLERANCE: X.X=±0.4
X.XX=±0.25
3. TERM. NOS. FOR REF. ONLY
4. RATING: 1A @120VAC or 28VDC
5. ELECTRICAL LIFE: 50,000 make-and-break cycles at full load.
6. DIELECTRIC STRENGTH: 1,000V RMS @sea level
7. OPERATING TEMP.: -30°C to 85°C
- ▲ 8. DESIGNATE MAJOR

C	11424	MOVED BUSHINGØ TO SIDE VIEW	4/26/01	CJB
B	11424	REMOVED M FROM PART DESCRIPTION	4/18/01	CJB
A	10758	RELEASED FOR PRODUCTION	7/12/00	MM
REV.	ECN No.	DESCRIPTION	DATE	CHKD

THE INFORMATION CONTAINED IN THIS DOCUMENT IS PROPRIETARY TO E-SWITCH AND IS NOT TO BE COPIED OR TRANSFERRED

E-SWITCH®				
TITLE 800A WSP-9 M2 Q E				
SCALE	DATE	DR	DWG	REV
2:1	7/12/00	MM	T833053	C