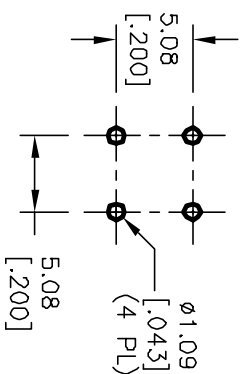
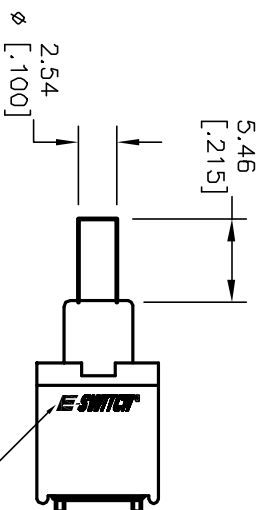
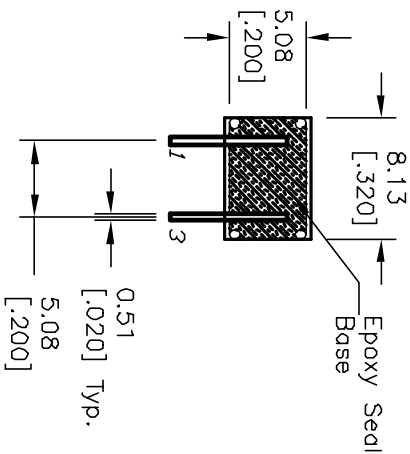
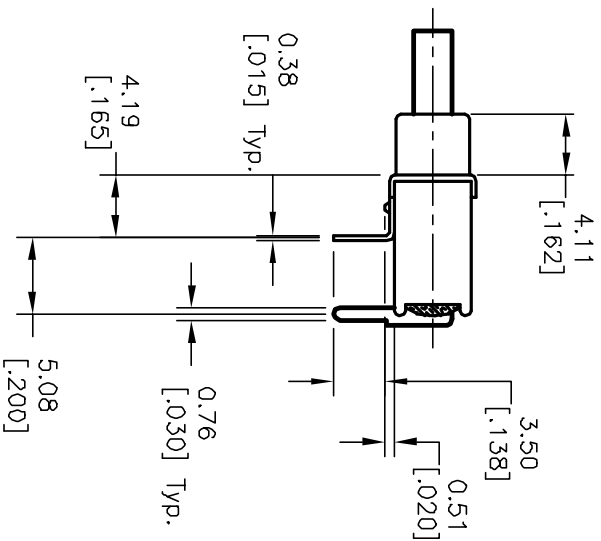
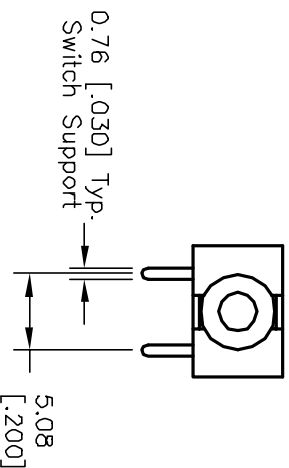


CONTACT CONFIGURATION  
CIRCUIT: SPST

[OFF] [ON]  
( ) = Momentary



RECOMMENDED P.C.B. LAYOUT



NOTES:

1. ALL DIMENSIONS IN MM [INCH]
2. GENERAL TOLERANCE: X.X=±0.4 X.XX=±0.25
3. TERM. NOS. FOR REF. ONLY
4. RATING: 1A @120VAC or 28VDC
5. FIXED TERM. MOVING CONTACT:  
Copper Alloy W/ Silver Plate.
6. ELECTRICAL LIFE: 50,000 make-and-break cycle at full load.
7. DIELECTRIC STRENGTH: 1,000 V RMS @sed level.
8. OPERATING TEMP.: -30°C to 85°C

REV.	ECN NO.	DESCRIPTION	DATE	CHKD
B	12075	REVISED AND REDRAWN	4/18/02	CB

TITLE	SCALE	DATE	DR	DWG	REV
800A WSP-9 M6 Q E	2:1	4/18/02	MM	T833005	B

**E-SWITCH®**

THE INFORMATION CONTAINED IN THIS DOCUMENT IS PREPARATORY TO A SWITCH AND IS NOT TO BE COPIED OR TRANSMITTED.