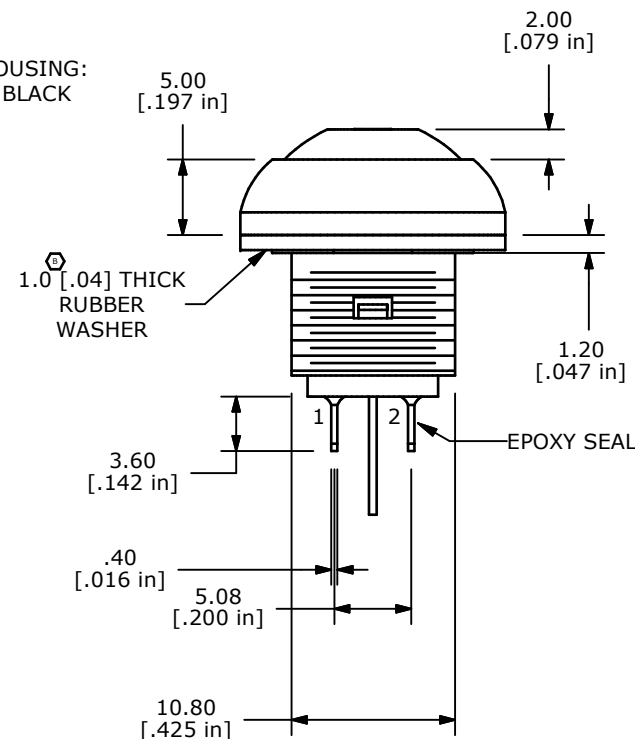
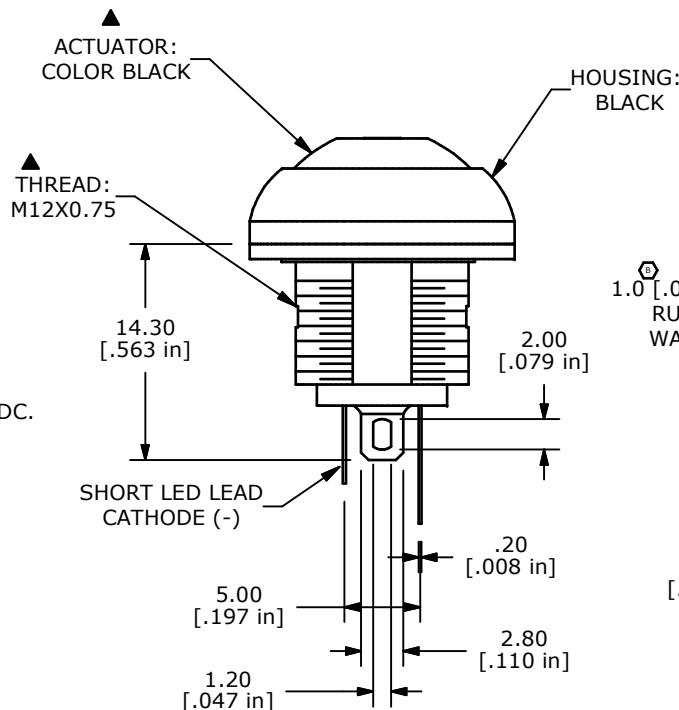


| ▲ LED SPECIFICATION    |          |          |
|------------------------|----------|----------|
| Column 1               | Column 2 | Column 3 |
| LED PARAMETER          | UNITS    | GREEN    |
| FORWARD CURRENT        | mA       | 20       |
| FORWARD VOLTAGE @ 20mA | V        | 2.0-2.6  |
| LUMINOUS INTENSITY     | mcd      | 42-80    |

NOTE:

1. ALL DIMENSIONS IN MM [INCH]
2. GENERAL TOLERANCE: X.X=±0.4  
X.XX=±0.25
3. TERMINAL NUMBERS FOR REF ONLY
4. CIRCUIT: SPST OFF-MOMENTARY ON
5. CONTACT MATERIAL: Gold over SILVER
- ▲ 6. RATING: 125mA @ 125 VAC  
100mA @ 50 VDC
7. ELECTRIC LIFE: 500,000 CYCLES AT FULL LOAD
8. CONTACT RESISTANCE: 50 milli-OHM max. (INITIAL)
9. INSULATION RESISTANCE: 1,000 MEGA-OHM min. @ 500VDC.
10. DIELECTRIC STRENGTH: 1,000 VAC rms.
11. OPERATING FORCE: 300 gf +/- 100 gf
12. OPERATING TEMPERATURE: -30°C TO +85°C.
13. CONTACT BOUNCE: 10ms MAX.
- ▲ 14. TRAVEL: 1.5mm
15. PANEL THICKNESS RANGE: 1.5 - 4.0 mm.
16. ▲ DENOTES CRITICAL PARAMETER.
17. 2002/95/EC (ROHS) COMPLIANT
18. MAX MOUNTING TORQUE: 1.5 Nm APPLIED TO THE NUT
- ▲ 19. HARDWARE INCLUDED:
  1. T081101 LOCK WASHER (1)
  2. T081102 HEX NUT (1)
  3. T081100 RUBBER WASHER (1)



|     |        |                    |          |    |
|-----|--------|--------------------|----------|----|
| B   | 17943  | Dim was 1.0[0.025] | 1/24/08  | rc |
| A   | 17904  | New-Release        | 12/20/07 | rc |
| REV | PCR NO | DESCRIPTION        | DATE     | BY |

|                             |            |    |          |     |
|-----------------------------|------------|----|----------|-----|
| TITLE RP8100B2M1CEBLKBLKGRN |            |    |          |     |
| SCALE                       | DATE       | DR | DWG      | REV |
| 2 : 1                       | 12/13/2007 | rc | ST081023 | B   |

THE INFORMATION CONTAINED IN THIS DOCUMENT IS PROPRIETARY TO E-SWITCH AND IS NOT TO BE COPIED OR TRANSFERRED