

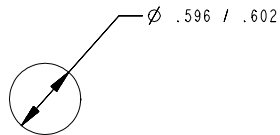
- NOTES:
 1. CUSTOMER: GRAYHILL STD.
 2. SWITCH HAS BUTT CONTACT SYSTEM.
 3. ACTION TYPE: MOMENTARY
 4. CIRCUITRY: SPST - N.O.

YYWW

GH

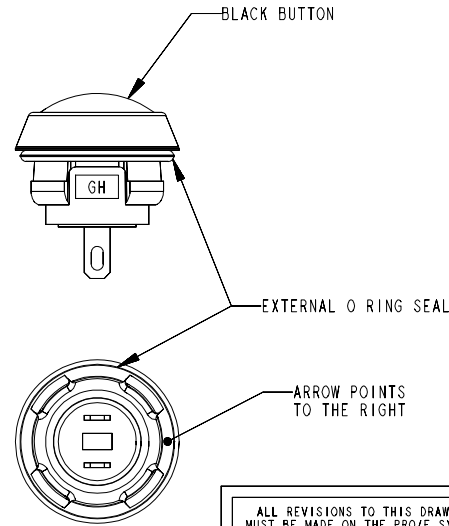
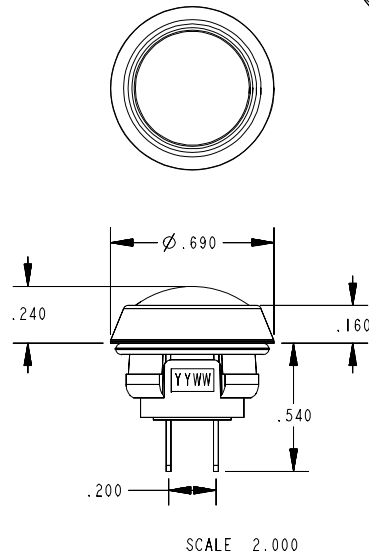
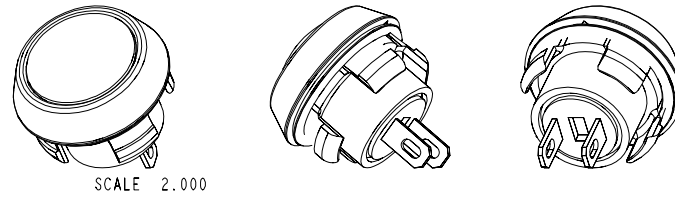
LABEL DETAIL

SCALE: 5:1
 LABEL PART NUMBER: SSS1878-14
 DATE CODE & "GH" TO
 INDICATE MANUFACTURER'S NAME



RECOMMENDED PANEL CUT-OUT
 SCALE: 1 TO 1

PANEL THICKNESS WITH "O" RING: .098-.106
 PANEL THICKNESS WITHOUT "O" RING: .140-.144



ALL REVISIONS TO THIS DRAWING
 MUST BE MADE ON THE PROE SYSTEM

C	CWS/JOD 1-26-05	ADDED ARROW NOTE. ECN#355542 JTK 1-26-05
B	CWS/PR 6-9-04	ADDED EXTERNAL O RING ECN#352414 JTK 6-9-04
A	CWS/JMT 5/13/04	ORIGINAL JTK ECN#352010 5-11-04
ISSUE	APP/DATE	DESCRIPTION

REVISIONS
 GRAYHILL, INC.
 501 HILLGROVE AVE.
 LA GRANGE, IL 60525
 PHONE (708) 354-1040

UNLESS OTHERWISE SPECIFIED TOLERANCES
 AND DIMENSIONS ARE IN INCHES
 LINEAR ± .025 DIAMETERS ± .010
 ANGULAR ± 1.0°
 LIMITS APPLY BEFORE FINISHING
 DO NOT SCALE THIS PRINT

CRITICAL CHARACTERISTIC FLAGS
 PER GRAYHILL SPEC.SOP2338
 -- CRITICAL CHARACTERISTIC FLAG
 -- Cpk REQUIRED
 -- S.P.C. FLAG (CONTROL CHART
 REQ'D ON FEATURE SPECIFIED)

COMPONENT	MATERIAL
BUTTON	BLACK NYLON - 45% GLASS FILLED
HOUSING	BLACK NYLON - 45% GLASS FILLED
TERMINAL	BRASS - GOLD OVER NICKEL PLATING
SHORTING BAR	BRASS - GOLD OVER NICKEL PLATING
BASE	NYLON - 45% GLASS FILLED
PLUNGER	NYLON - 45% GLASS FILLED
O-RING SEAL	SILICON - 70 DUROMETER
INTERNAL SEAL	SILICON RUBBER
COMPRESSION SPRING	TINNED MUSIC WIRE

	MECHANICAL RATINGS
TRAVEL	.090" NOMINAL
TRAVEL BEFORE MAKE	.035" NOMINAL
CYCLE LIFE	500,000 ELECTRICAL CYCLES
SHOCK	100 G'S / 6 MILLISECONDS
OPERATING TEMP.	-40° C TO +80° C
ACTUATION FORCE	14.5 OZ ±3 OZ.

	ELECTRICAL RATINGS
RATING AT 24 VDC	150 MILLIAMPS
VOLTAGE BREAKDOWN	1,000 VOLTS
CONTACT RESISTANCE	25 mΩ MAX. (INITIAL)
INSULATION RESISTANCE	1000 MΩ

FINISH	---	APPROVED DATE	JMT 5-13-04
MATERIAL	---	CHECKED DATE	CWS 5-12-04
NAME	PUSHBUTTON ASSEMBLY	DRAWN DATE	JTK 5-11-04
CAGE NO.	81073		30-100.DRW
B SIZE	DWG. NO. 30-100	ISSUE	C
SCALE	2:1	SHEET	1 OF 1