

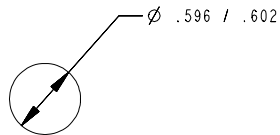
- NOTES:
 1. CUSTOMER: GRAYHILL STD.
 2. SWITCH HAS BUTT CONTACT SYSTEM.
 3. ACTION TYPE: MOMENTARY
 4. CIRCUITRY: SPST - N.O.

YYWW

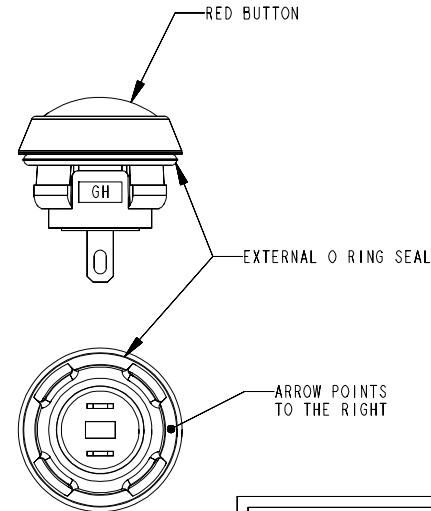
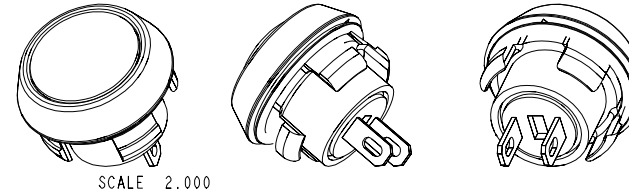
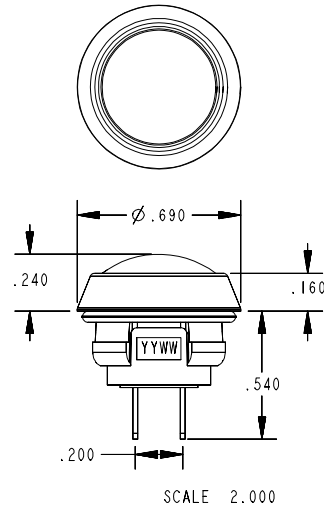
GH

LABEL DETAIL

SCALE: 5:1
 LABEL PART NUMBER: SSS1878-14
 DATE CODE & "GH" TO
 INDICATE MANUFACTURER'S NAME



PANEL THICKNESS WITH "O" RING: .098-.106
 PANEL THICKNESS WITHOUT "O" RING: .140-.144



ALL REVISIONS TO THIS DRAWING
 MUST BE MADE ON THE PROE SYSTEM

ISSUE	APP/DATE	DESCRIPTION
C	CWS/JOD 1-26-05	ADDED ARROW NOTE. ECN#355542 JTK 1-26-05
B	CWS/PR 6-9-04	ADDED EXTERNAL O RING ECN#352416 JTK 6-9-04
A	CWS/JMT 5-13-04	ORIGINAL JTK ECN#352011 5-11-04

REVISIONS

GRAYHILL, INC.
 561 WILLGROVE AVE.
 LA GRANGE, IL 60525
 PHONE (708) 354-1040

UNLESS OTHERWISE SPECIFIED TOLERANCES AND DIMENSIONS ARE IN INCHES
 LINEAR ± .025 DIAMETERS ± .010
 ANGULAR ± 1.0°
 LIMITS APPLY BEFORE FINISHING
 DO NOT SCALE THIS PRINT

CRITICAL CHARACTERISTIC FLAGS PER GRAYHILL SPEC.SOP2338

- △ -- CRITICAL CHARACTERISTIC FLAG
- -- Cpk REQUIRED
- ⊠ -- S.P.C. FLAG (CONTROL CHART REQ'D ON FEATURE SPECIFIED)

COMPONENT	MATERIAL
BUTTON	RED NYLON - 45% GLASS FILLED
HOUSING	BLACK NYLON - 45% GLASS FILLED
TERMINAL	BRASS - GOLD OVER NICKEL PLATING
SHORTING BAR	BRASS - GOLD OVER NICKEL PLATING
BASE	NYLON - 45% GLASS FILLED
PLUNGER	NYLON - 45% GLASS FILLED
O-RING SEAL	SILICON - 70 DUROMETER
INTERNAL SEAL	SILICON RUBBER
COMPRESSION SPRING	TINNED MUSIC WIRE

	MECHANICAL RATINGS
TRAVEL	.090" NOMINAL
TRAVEL BEFORE MAKE	.035" NOMINAL
CYCLE LIFE	500,000 ELECTRICAL CYCLES
SHOCK	100 G'S / 6 MILLISECONDS
OPERATING TEMP.	-40° C TO +80° C
ACTUATION FORCE	14.5 OZ ± 3 OZ.

	ELECTRICAL RATINGS
RATING AT 24 VDC	150 MILLIAMPS
VOLTAGE BREAKDOWN	1,000 VOLTS
CONTACT RESISTANCE	25 mΩ MAX. (INITIAL)
INSULATION RESISTANCE	1000 MΩ

FINISH	---	APPROVED	DATE
MATERIAL	---	JMT	4-13-04
NAME	PUSHBUTTON ASSEMBLY	CHECKED	DATE
CAGE NO.	81073	CWS	4-12-04
B SIZE	DWG. NO. 30-101	DRAWN	DATE
SCALE	2:1	JTK	5-11-04
		ISSUE	
		C	
		SHEET	OF 1