

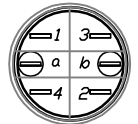
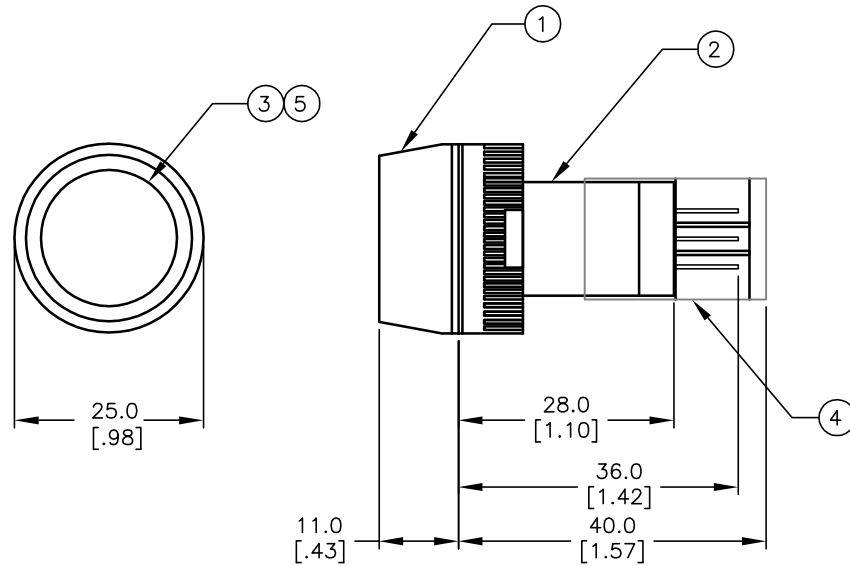
RECOMMENDED PANEL MOUNTING

1 o | o 2  
 3 o o 4  
 a - (L) - b (+)

SPST  
 CONTACT CONFIGURATION

NOTES:

1. ALL DIMENSIONS IN MM
2. GENERAL TOLERANCE: X.X=±0.4  
X.XX=±0.25
3. RATINGS: 5A @250V AC;  
8A @125V AC
4. CONTACT MATERIAL:  
COPPER ALLOY W/Silver Plating
5. LAMP VOLTAGE: 12V DC



PARTS LIST			
Item	Qty.	Dwg. No.	Part No.
1	1	F051702	25mm RING FOR LA SERIES
2	1	F060619	LAKEEV110 (BODY)
3	1	F060254	25mm GREEN LENS
4	-	SUPPLIED	P16 PLASTIC TERMINAL PROTECTOR
5	1	F050419	50-004-19 (GREEN 12 V LED)

**E-SWITCH®**

TITLE				
LAKEEV11JGRNGRN				
SCALE	DATE	DR	DWG	REV
1:1	7/2/04	AR	XF0596A	A

A	14133	RELEASED FOR PRODUCTION	7/2/04	AR
REV.	ECN No.	DESCRIPTION	DATE	CHKD

THE INFORMATION CONTAINED IN THIS DOCUMENT IS PROPRIETARY TO E-SWITCH AND IS NOT TO BE COPIED OR TRANSFERRED