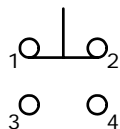
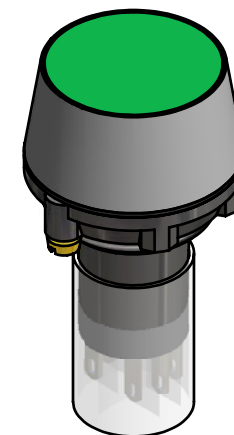
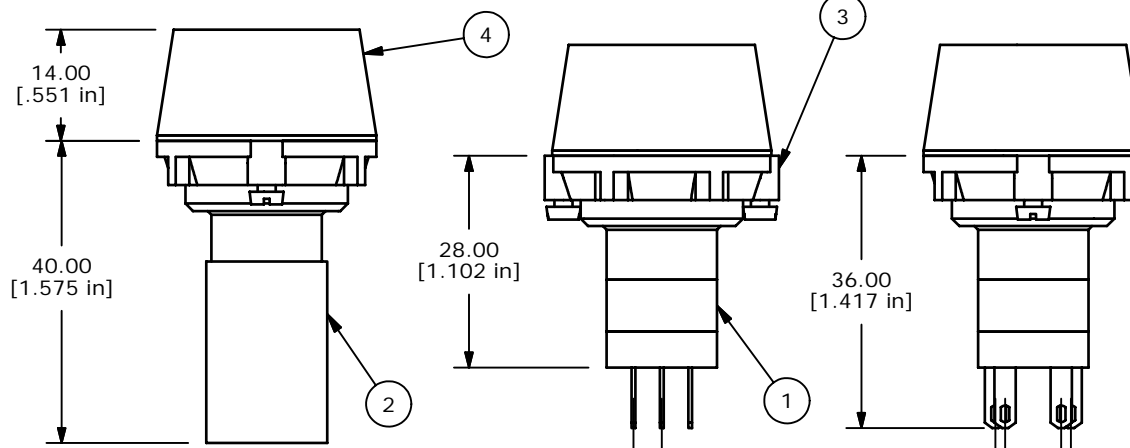


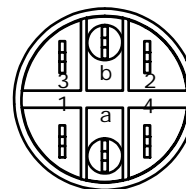
RECOMMEND PANEL MOUNTING



SPST  
CONTACT CONFIGURATION



ISOMETRIC



Parts List				
ITEM	QTY	PART NUMBER	DESCRIPTION	
1	1	F060622	LAKOAU110	
2	1	F051601	P16 PLASTIC TERM. PROTECTOR	
3	1	F060250	29MM LA U1 NUT	
4	1	F051701	29MM RING FOR LA SERIES	
5	1	F060212	29MM GRN LENS	

NOTES:

- ALL DIMENSIONS IN MM [INCH].
- GENERAL TOLERANCE: 0.0±0.4  
0.00±0.25
- TERM. NOS. FOR REF. ONLY.
- RATING: 5A @250VAC  
8A @125VAC  
.2A @250VDC  
6A @24VDC
- ELECTRIC LIFE: 25,000 MAKE-OR-BREAK CYCLES AT FULL LOAD.
- INSULATION: 1,000 MΩ MIN.
- DIELECTRIC STRENGTH: 2000V
- OPERATING TEMP: -25°C TO 70°C
- LENS COLOR: GREEN

**E-SWITCH®**

B	16054	UPDATE DIMENSIONS	5/19/06	CT
A	15380	RELEASED FOR PRODUCTION	10/11/05	PH
REV	PCR NO	DESCRIPTION	DATE	BY

TITLE LAKOAU110GRN				
SCALE	DATE	DR	DWG	REV
1:1	10/11/2005	PH	XF0338P	B

THE INFORMATION CONTAINED IN THIS DOCUMENT IS PROPRIETARY TO E-SWITCH AND IS NOT TO BE COPIED OR TRANSFERRED