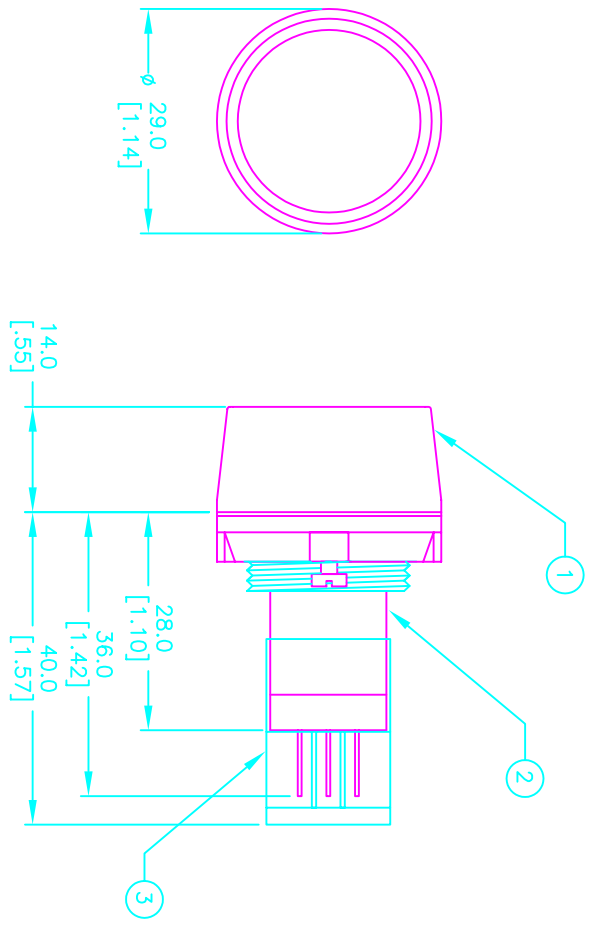
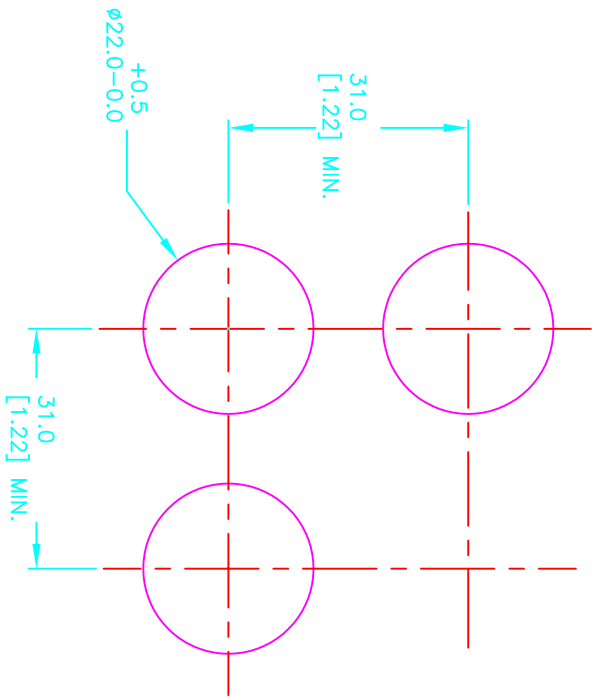


| PART LIST | | | Part No. |
|-----------|------|----------|--------------------------------|
| Item | Qty. | Dwg. No. | |
| 1 | 1 | F051701 | 29mm RING FOR LA SERIES |
| 2 | 1 | F060622 | LAKDAU110 (Body) |
| 3 | 1 | F051601 | P16 PLASTIC TERMINAL PROTECTOR |
| - | 1 | F060295 | 29mm RED LENS |



1 o 2
 3 o 4
 a-L-b (+)

CONTACT CONFIGURATION



RECOMMEND PANEL MOUNTING

- NOTES:
1. ALL DIMENSIONS IN MM [INCH]
 2. GENERAL TOLERANCE: 0.0=±0.4
0.00=±0.25
 3. TERM. NOS. FOR REF. ONLY

| | | | | |
|------|---------|----------------------------|---------|------|
| B | 16330 | CHNGD ITEM 2 DF PARTS LIST | 8/16/06 | BD |
| A | 13102 | RELEASED FOR PRODUCTION | 5/1/03 | AR |
| REV. | ECN No. | DESCRIPTION | DATE | CHKD |

E-SWITCH®

LAKDAU110RED

TITLE

SCALE 1:1 DATE 5/1/03 DR AR DWG XF0281P REV B

THE INFORMATION CONTAINED IN THIS DOCUMENT IS PROPRIETARY TO E-SWITCH AND IS NOT TO BE COPIED OR TRANSFERRED