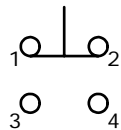
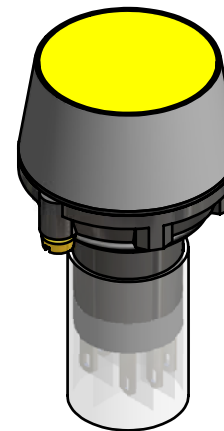
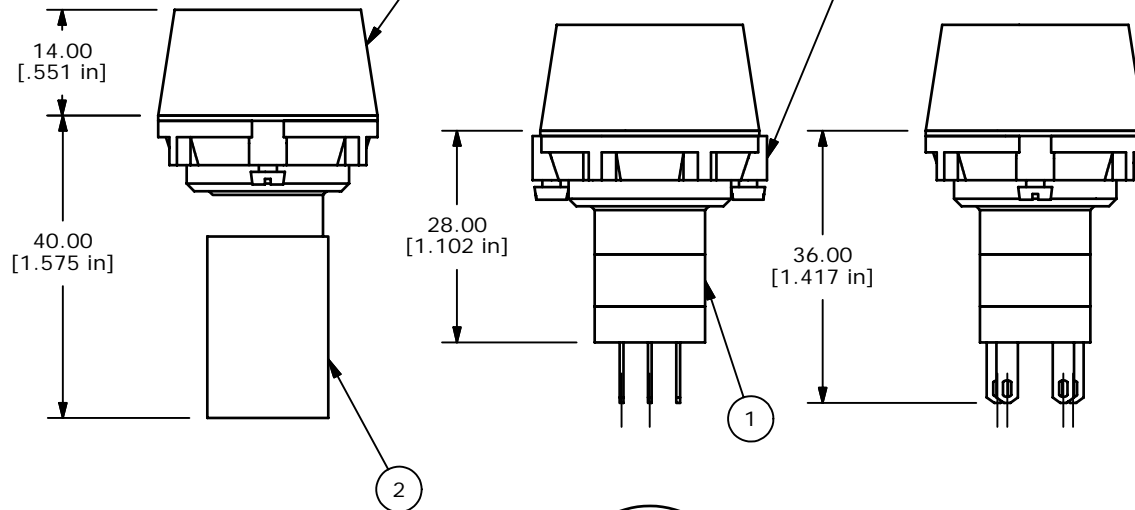


ITEM	QTY	PART NUMBER	DESCRIPTION
1	1	F060622	LAKOAU1100
2	1	F051601	P16 PLASTIC TERM. PROTECTOR
3	1	F060250	29MM LA U1 NUT
4	1	F051701	29MM RING FOR LA SERIES
5	1	F060216	29MM YEL LENS

RECOMMEND PANEL MOUNTING



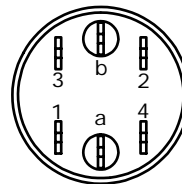
SPST
CONTACT CONFIGURATION



ISOMETRIC

NOTES:

- ALL DIMENSIONS IN MM [INCH].
- GENERAL TOLERANCE: 0.0±0.24
0.00±0.25
- TERM. NOS. FOR REF. ONLY.
- RATING: 5A @250VAC
8A @125VAC
.2A @250VDC
6A @24VDC
- ELECTRIC LIFE: 25,000 MAKE-OR-BREAK CYCLES AT FULL LOAD.
- INSULATION: 1,000 MΩ MIN.
- DIELECTRIC STRENGTH: 2000V
- OPERATING TEMP: -25°C TO 70°C
- LENS COLOR: YELLOW



REV	PCR NO	DESCRIPTION	DATE	BY
B	15266	CHANGES TO ITEM 1 OF PARTS LIST	9/13/05	PH
A	15256	RELEASED FOR PRODUCTION	9/12/05	PH

TITLE LAKOAU110YEL				
SCALE 1:1	DATE 9/12/2005	DR PH	DWG XF0642P	REV B