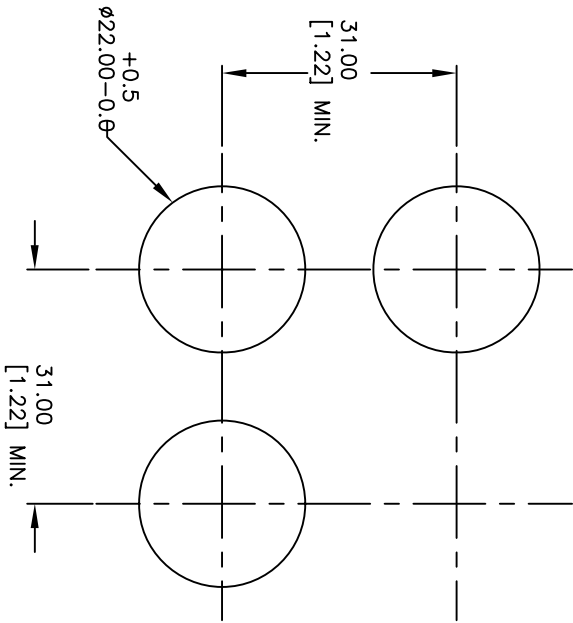


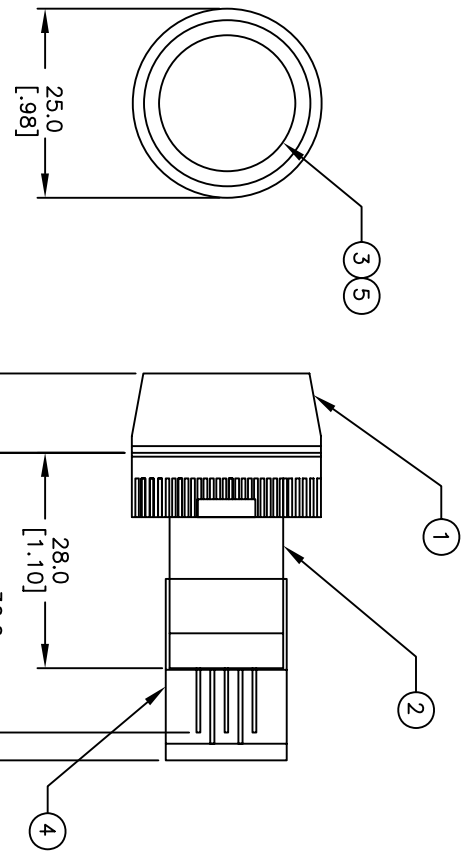
Item	Qty.	Dwg. No.	Part No.
1	1	F051702	25mm RING FOR LA SERIES
2	1	F060621	LAKOAV110 (BODY)
3	1	F061257	25mm BLUE LENS
4	1	F051601	P16 PLASTIC TERMINAL PROTECTOR



RECOMMENDED PANEL MOUNTING

1 0 1 0 2
3 0 0 4
a-L-b (+)

SPST
CONTACT CONFIGURATION



- NOTES:
1. ALL DIMENSIONS IN MM
 2. GENERAL TOLERANCE: X.X=±0.4
X.XX=±0.25
 3. RATINGS: 5A @250V AC;
8A @125V AC
 4. CONTACT MATERIAL:
COPPER ALLOY W/Silver Plating

A	15082	RELEASED FOR PRODUCTION	7/21/05	RC
REV.	ECN No.	DESCRIPTION	DATE	CHKD

TITLE		SCALE		DATE	DR	DWG	REV
LAKOAV110BLU		1:1		7/21/05	RC	XF0639A	A



THE INFORMATION CONTAINED IN THIS DOCUMENT IS PROPRIETARY TO E-SWITCH AND IS NOT TO BE COPIED OR TRANSFERRED