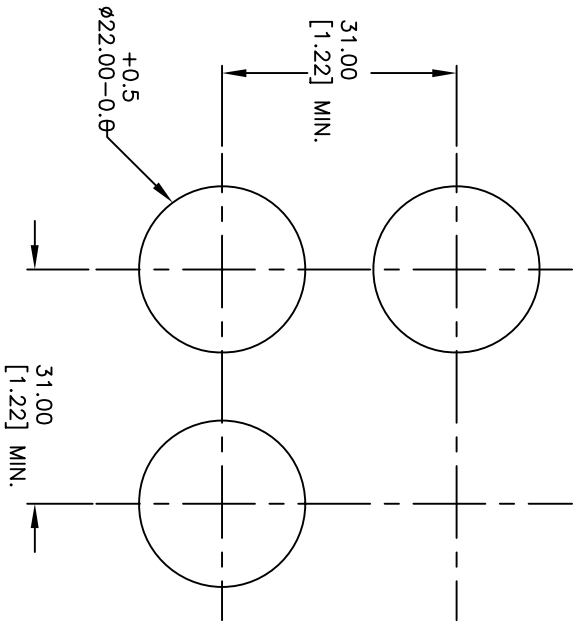


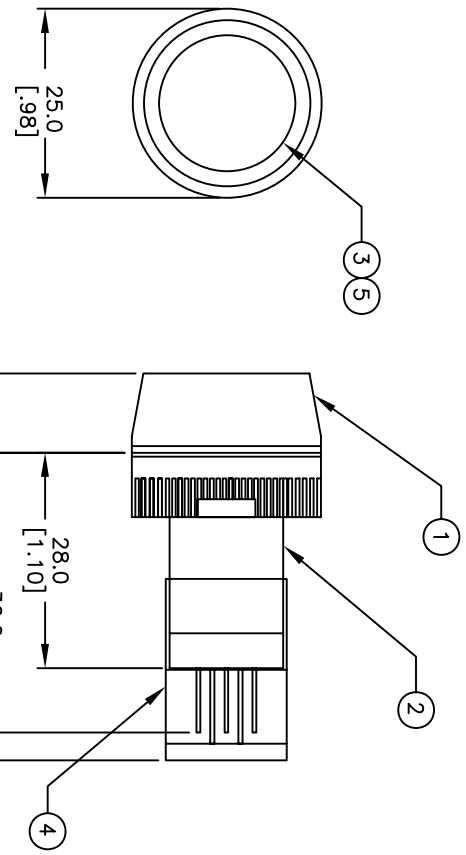
Item	Qty.	Dwg. No.	Part No.
1	1	F051702	25mm RING FOR LA SERIES
2	1	F060621	LAKOAV110 (BODY)
3	1	F061254	25mm GREEN LENS
4	1	F051601	P16 PLASTIC TERMINAL PROTECTOR



RECOMMENDED PANEL MOUNTING

1.0 ± 0.2
3.0 ± 0.4
a-L-b (+)

SPST
CONTACT CONFIGURATION



- NOTES:
1. ALL DIMENSIONS IN MM
 2. GENERAL TOLERANCE: X.X=±0.4
X.XX=±0.25
 3. RATINGS: 5A @250V AC;
8A @125V AC
 4. CONTACT MATERIAL:
COPPER ALLOY W/Silver Plating

A	15081	RELEASED FOR PRODUCTION	7/21/05	RC
REV.	ECN No.	DESCRIPTION	DATE	CHKD

TITLE				
LAKOAV110GRN				
SCALE 1:1				
DATE 7/21/05		DR RC	DWG XF0638A	REV A



THE INFORMATION CONTAINED IN THIS DOCUMENT IS PROPRIETARY TO E-SWITCH AND IS NOT TO BE COPIED OR TRANSFERRED