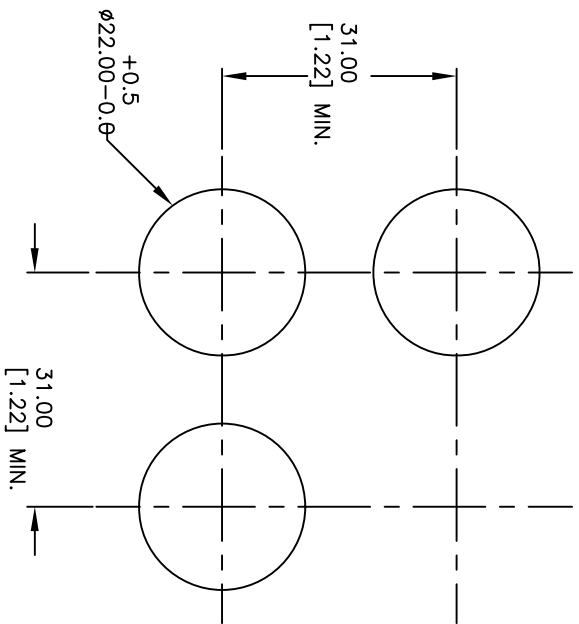


Item	Qty.	Dwg. No.	Part No.
1	1	F051702	25mm RING FOR LA SERIES
2	1	F060621	LAKOAV110 (BODY)
3	1	F061255	25mm RED LENS
4	1	F051601	P16 PLASTIC TERMINAL PROTECTOR
5	1	F050420	50-004-20 (RED LED)



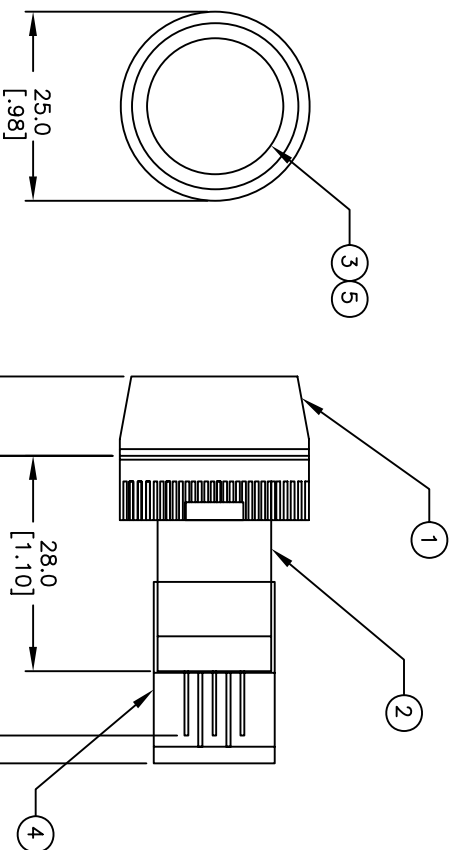
RECOMMENDED PANEL MOUNTING

1.0 ± 0.2  
3.0 ± 0.4  
a-L-b (+)

SPST  
CONTACT CONFIGURATION

NOTES:

1. ALL DIMENSIONS IN MM
2. GENERAL TOLERANCE: X.X=±0.4  
X.XX=±0.25
3. RATINGS: 5A @250V AC;  
8A @125V AC
4. CONTACT MATERIAL:  
COPPER ALLOY W/Silver Plating
5. LAMP VOLTAGE: 12V DC



TITLE

LAKOAV11JREDRED



A	15080	RELEASED FOR PRODUCTION	7/21/05	RC
REV.	ECN No.	DESCRIPTION	DATE	CHKD

SCALE	DATE	DR	DWG	REV
1:1	7/21/05	RC	XF0637A	A

THE INFORMATION CONTAINED IN THIS DOCUMENT IS PROPRIETARY TO E-SWITCH AND IS NOT TO BE COPIED OR TRANSFERRED