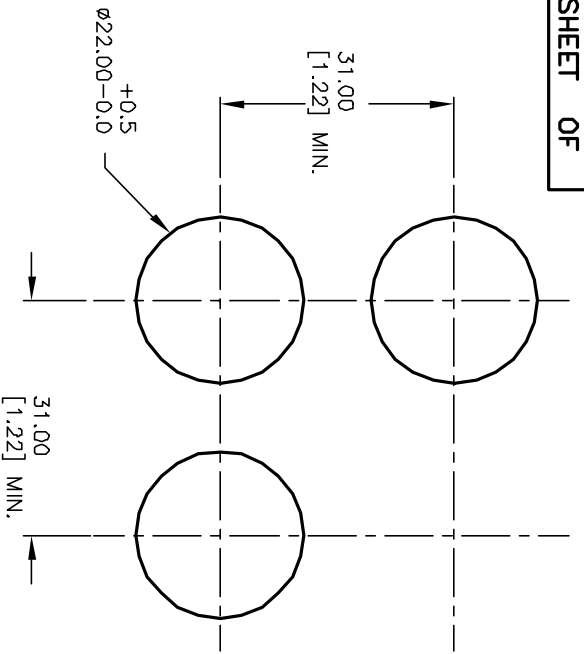


Item	Qty.	Dwg. No.	Part No.
1	1	F051701	29mm RING FOR LA SERIES
2	1	F060614	LASEEU110
3	1	F060295	29mm RED LENS



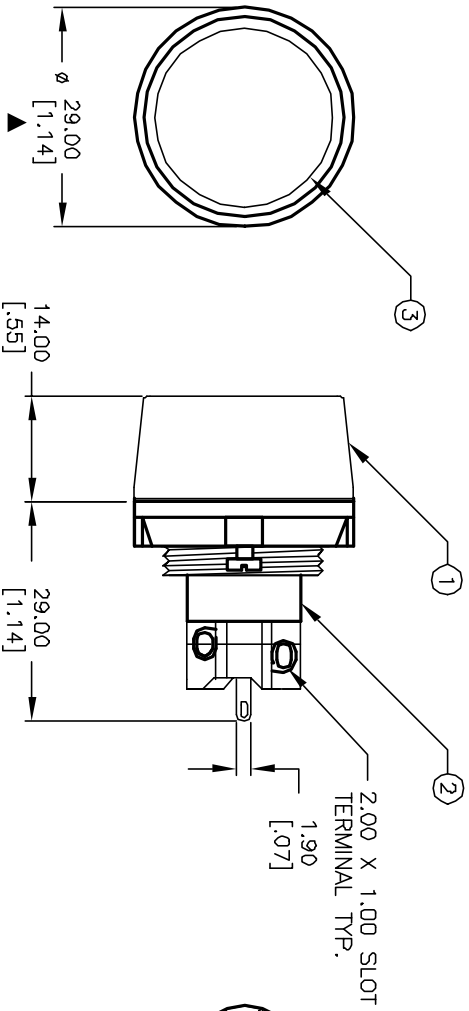
RECOMMENDED PANEL MOUNTING

1 0 1 0 2
3 0 0 4
a-L-b (+)

SPST
CONTACT CONFIGURATION

NOTES:

1. ALL DIMENSIONS IN MM [INCH]
2. GENERAL TOLERANCE: X.X=±0.4
X:XX=±0.25
3. RATINGS: 250VAC @1A, 2A, 4A, 5A
4. CONTACT MATERIAL: Cu Alloy w/Silver plate.
5. TRAVEL: 3.0mm
6. FEATURES: OIL AND WATERTIGHT SEAL
7. ▲ DENOTES CRITICAL PARAMETER.



TITLE

LASEEU110RED

E-SWITCH®

REV.	ECN No.	DESCRIPTION	DATE	CHKD	AR
A	13144	RELEASED FOR PRODUCTION	5/16/03		

THE INFORMATION CONTAINED IN THIS DOCUMENT IS PROPRIETARY TO E-SWITCH AND IS NOT TO BE COPIED OR TRANSFERRED

SCALE	DATE	DR	DWG	REV
1:1	5/16/03	AR	XF0272P	A