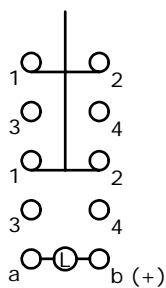
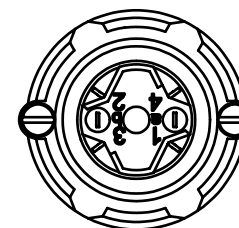
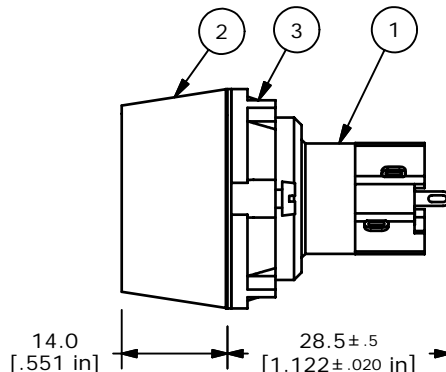
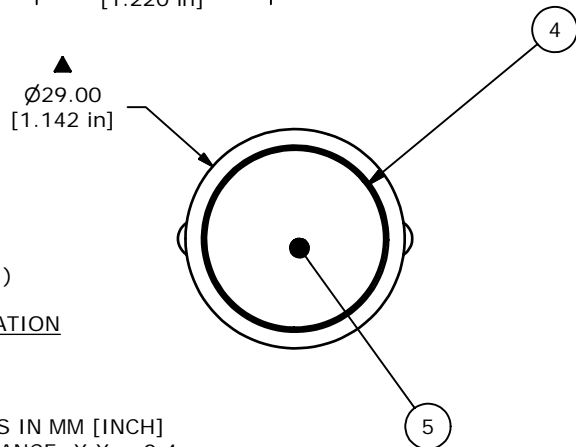


ISOMETRIC

Parts List			
ITEM	QTY	PART NUMBER	DESCRIPTION
1	1	F060614	LASEEU11
2	1	F051701	29MM RING FOR LA SERIES
3	1	F060250	29MM LA U1 NUT
4	1	F060214	29MM RED LENS
5	1	F050404	50-004-04 14V AC/DC 80mA INCANDESCENT
24	1	D16ENDLUG	



DPDT CONTACT CONFIGURATION



NOTE:

1. ALL DIMENSIONS IN MM [INCH]
2. GENERAL TOLERANCE: X.X=±0.4
X.XX=±0.25
3. TERMINAL NUMBERS FOR REF ONLY
4. RATING: 5 AMPS @ 250VAC UL, VDE APPROVED
6 AMPS @ 24VDC UL, VDE APPROVED
5. ELECTRIC LIFE: 50,000 MAKE-AND-BREAK CYCLES AT FULL LOAD.
6. INSULATION RESISTANCE: 1,000 MEGA-OHM MIN.
7. OPERATING TEMP.: -25°C to 55°C
- ▲ 8. LAMP VOLTAGE: 14V AC/DC 80mA INCANDESCENT BULB
9. ▲ DENOTES CRITICAL PARAMETER.
10. 2002/95/EC (ROHS) COMPLIANT

C	16334	CHNGD LENS COLOR TO RED	8/17/06	BO
B	16059	UPDATE PARTS LIST	5/26/2006	CT
A	16043	RELEASED FOR PRODUCTION	5/18/06	CT
REV	PCR NO	DESCRIPTION	DATE	BY

THE INFORMATION CONTAINED IN THIS DOCUMENT IS PROPRIETARY TO E-SWITCH AND IS NOT TO BE COPIED OR TRANSFERRED

E-SWITCH®

TITLE LASEEU11BRED

SCALE	DATE	DR	DWG	REV
1:1	5/18/2006	CT	XF0676P	C