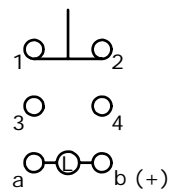


ISOMETRIC

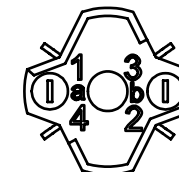
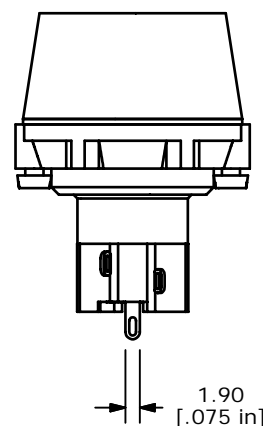
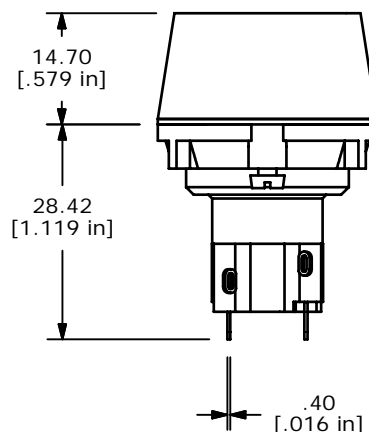
RECOMMEND PANEL MOUNTING



CONTACT CONFIGURATION

NOTES:

1. ALL DIMENSIONS IN MM [INCH].
2. GENERAL TOLERANCE: 0.0±0.4  
0.00±0.25
3. TERM. NOS. FOR REF. ONLY.
4. RATING: 5A @250VAC  
8A @125VAC  
.2A @250VDC  
6A @24VDC
5. ELECTRIC LIFE: 50,000 MAKE-OR-BREAK CYCLES AT FULL LOAD.
6. INSULATION: 1,000 MΩ MIN.
7. DIELECTRIC STRENGTH: 1,500V FOR 1 MIN.  
3,000V BETWEEN POLES
8. OPERATING TEMP: -20°C TO 55°C
9. LENS COLOR: RED
10. LAMP: LED 12VDC RED



**E-SWITCH®**

TITLE LASEEU11JREDRED

|     |        |                         |         |    |
|-----|--------|-------------------------|---------|----|
| A   | 14895  | RELEASED FOR PRODUCTION | 5/11/05 | JB |
| REV | PCR NO | DESCRIPTION             | DATE    | BY |

|       |           |    |         |     |
|-------|-----------|----|---------|-----|
| SCALE | DATE      | DR | DWG     | REV |
| 1:1   | 5/11/2005 | JB | F060625 | A   |

THE INFORMATION CONTAINED IN THIS DOCUMENT IS PROPRIETARY TO E-SWITCH AND IS NOT TO BE COPIED OR TRANSFERRED