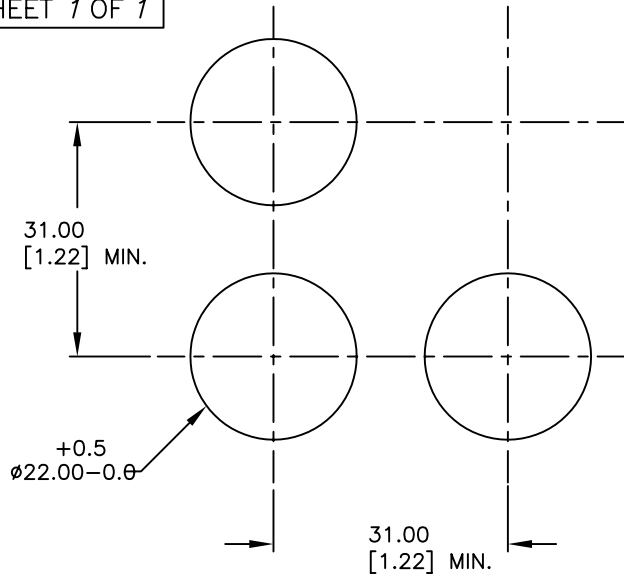
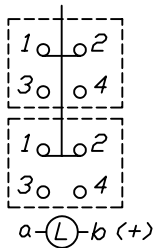


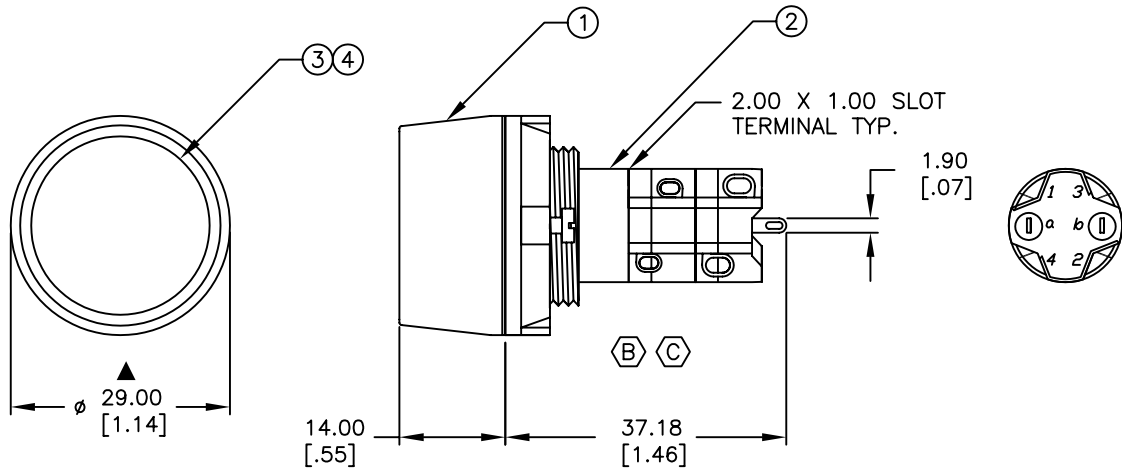
PARTS LIST			
Item	Qty.	Dwg. No.	Part No.
1	1	F051701	29mm RING FOR LA SERIES
2	1	F060615	LASEEU120
3	1	F061296	29mm YELLOW LENS
4	1	F050418	50-004-18 YELLOW LAMP



RECOMMENDED PANEL MOUNTING



DPST CONTACT CONFIGURATION



NOTES:

1. ALL DIMENSIONS IN MM [INCH]
2. GENERAL TOLERANCE: X.X=±0.4  
X.XX=±0.25
3. RATINGS: 8A@125VAC, 5A@250VAC, .2A@250VDC (B)
- ▲ 4. LED VOLTAGE: 6VDC
5. ▲ DENOTES CRITICAL PARAMETER.

REV.	ECN No.	DESCRIPTION	DATE	CHKD
C	14882	PART CHANGE	4/28/05	JB
B	14401	RATINGS, SIDE VIEW, CONTACT CONFIG	10/13/04	AR
A	13746	RELEASED FOR PRODUCTION	2/3/04	AR

THE INFORMATION CONTAINED IN THIS DOCUMENT IS PROPRIETARY TO E-SWITCH AND IS NOT TO BE COPIED OR TRANSFERRED

<b>E-SWITCH®</b>				
TITLE LASEEU12HYELYEL				
SCALE 1:1	DATE 2/3/04	DR AR	DWG XF0580P	REV C