

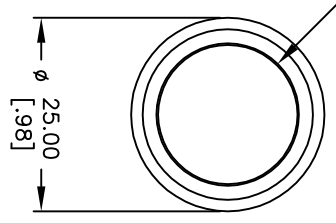
RECOMMENDED PANEL MOUNTING

1.0 ± 0.2  
 3.0 ± 0.4  
 a-(D)-b (+)

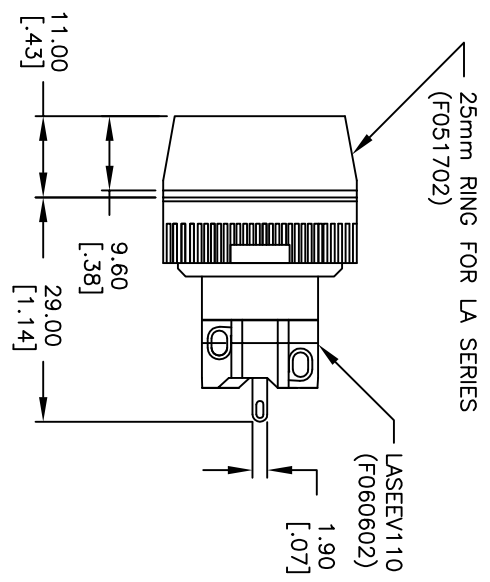
SPST  
 CONTACT CONFIGURATION

NOTES:

1. ALL DIMENSIONS IN MM [INCH]
2. GENERAL TOLERANCE: 0.0=±0.4  
 0.00=±0.25
3. RATINGS: 250VAC @1A, 2A, 4A, 5A



25mm GREEN LENS  
 (F060254)



25mm RING FOR LA SERIES  
 (F051702)

LA SEEV110  
 (F060602)



LAS EE V1 10 GRN

A	11183	RELEASED FOR PRODUCTION	1/18/01	CJB
REV.	ECN No.	DESCRIPTION	DATE	CHKD
THE INFORMATION CONTAINED IN THIS DOCUMENT IS PROPRIETARY TO E-SWITCH AND IS NOT TO BE COPIED OR TRANSFERRED				

TITLE		SCALE		DATE		DR		DWG		REV	
LAS EE V1 10 GRN		1:1		1/18/01		CJB		XF0280A		A	