

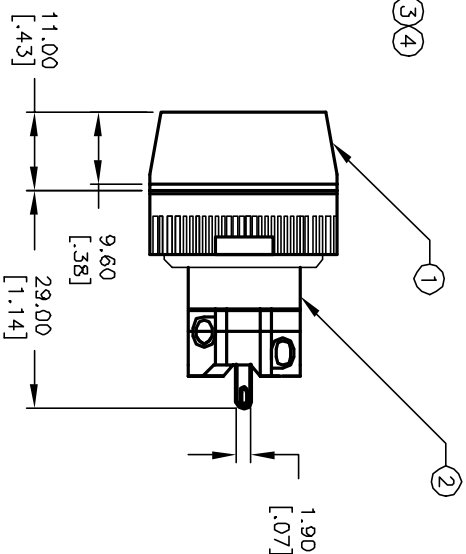
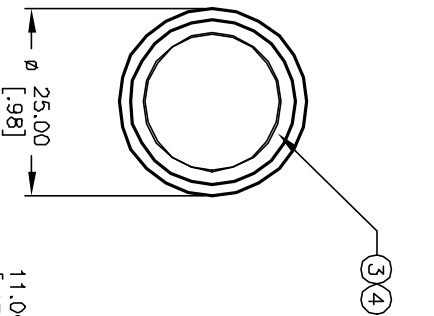
RECOMMENDED PANEL MOUNTING

1.0 ± 0.2
3.0 ± 0.4
a-L-b (+)

SPST CONTACT CONFIGURATION

NOTES:

1. ALL DIMENSIONS IN MM
2. GENERAL TOLERANCE: X.X=±0.4 X.XX=±0.25
3. RATINGS: 5A@250V AC, BA@125V AC
4. CONTACT MATERIAL: COPPER ALLOY W/Gold Plating
5. TRAVEL: 3.0mm (Total) 2.0mm (Latch)
6. MECHANICAL LIFE: >100,000 Cycles
7. ELECTRICAL LIFE: >50,000 Cycles
8. INSULATION RESISTANCE: >1000 MILLI-OHMS
9. OPERATING TEMP: -20°C to 55°C
10. LAMP VOLTAGE: 12VDC (L.E.D.)



PARTS LIST		
Item	Qty.	Dwg. No. Part No.
1	1	F051702 25mm RING FOR LA SERIES
2	1	F060602 LASEEV110
3	1	F061254 25mm GRN LENS (TRANSPARENT)
4	1	F050419 50-004-20 RED L.E.D.

REV.	ECN No.	DESCRIPTION	DATE	CHKD
A	12307	RELEASED FOR PRODUCTION	7/17/02	CJB

TITLE	SCALE	DATE	DR	DWG	REV
LAS EE V1 1J RED GRN (TRANSPARENT LENS)	1:1	7/17/02	CJB	XF0487P	A

E-SWITCH®

THE INFORMATION CONTAINED IN THIS DOCUMENT IS PROPRIETARY TO E-SWITCH AND IS NOT TO BE COPIED OR TRANSMITTED