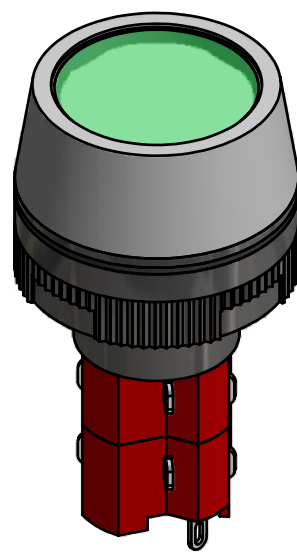
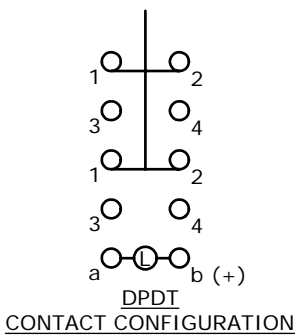
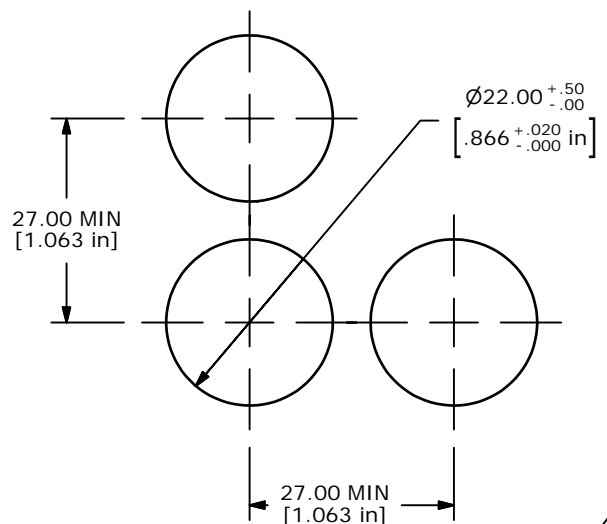
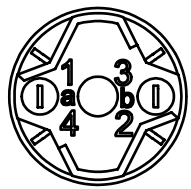
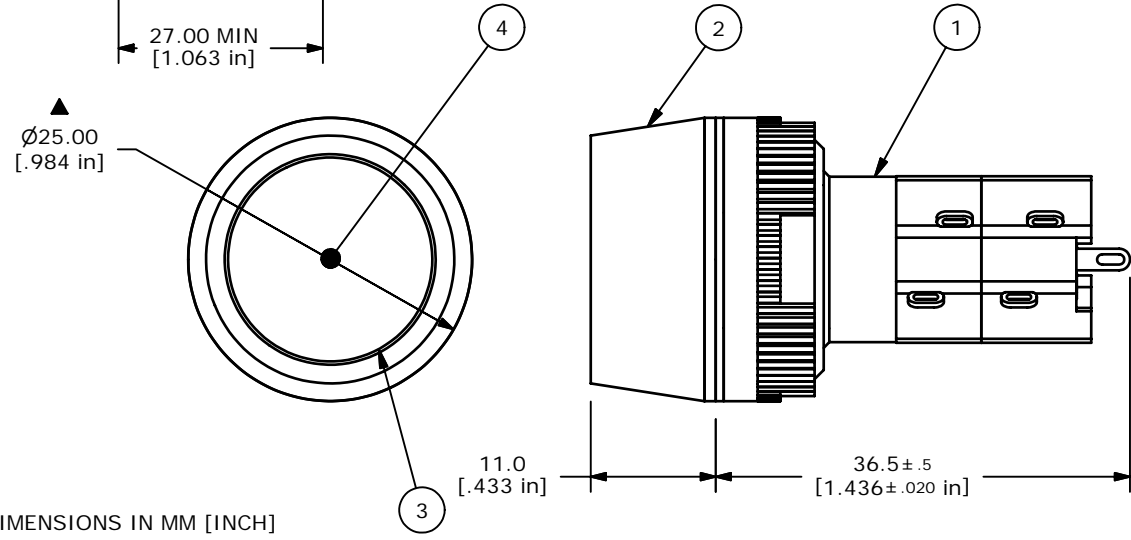


Parts List			
ITEM	QTY	PART NUMBER	DESCRIPTION
1	1	F060603	LASEEV12
2	1	F051702	25MM RING FOR LA SERIES
3	1	F061254	25MM GREEN LENS
4	1	F050422	50-004-22 24VDC LED GREEN



ISOMETRIC



- NOTE:
1. ALL DIMENSIONS IN MM [INCH]
 2. GENERAL TOLERANCE: X.X=±0.4
X.XX=±0.25
 3. TERMINAL NUMBERS FOR REF ONLY
 4. RATING: 5 AMPS @ 250VAC UL, VDE APPROVED
6 AMPS @ 240VDC UL, VDE APPROVED
 5. ELECTRIC LIFE: 50,000 MAKE-AND-BREAK CYCLES AT FULL LOAD.
 6. INSULATION RESISTANCE: 1,000 MEGA-OHM MIN.
 7. OPERATING TEMP.: -25°C to 55°C
 - ▲ 8. LAMP VOLTAGE: 24VDC LED
 - ▲ 9. ▲ DENOTES CRITICAL PARAMETER.



A	17549	RELEASED FOR PRODUCTION	8/10/07	BF
REV	PCR NO	DESCRIPTION	DATE	BY
THE INFORMATION CONTAINED IN THIS DOCUMENT IS PROPRIETARY TO E-SWITCH AND IS NOT TO BE COPIED OR TRANSFERRED				

TITLE LASEEV12KGRNGRN				
SCALE	DATE	DR	DWG	REV
1.5:1	8/10/2007	BF	XF0655A	A