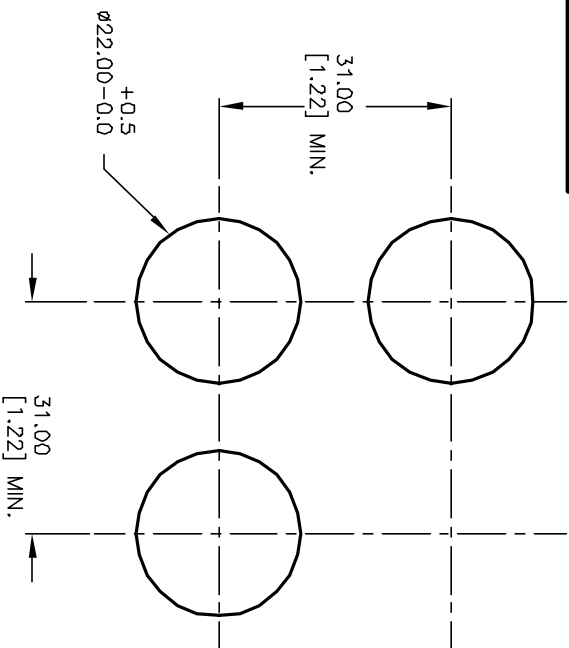


| PARTS LIST | | Part No. |
|------------|------|-------------------------|
| Item | Qty. | Dwg. No. |
| 1 | 1 | F051701 |
| 2 | 1 | F060610 |
| 3 | 1 | F060295 |
| | | 29mm RING FOR LA SERIES |
| | | LASCAU110 |
| | | 29mm RED LENS |



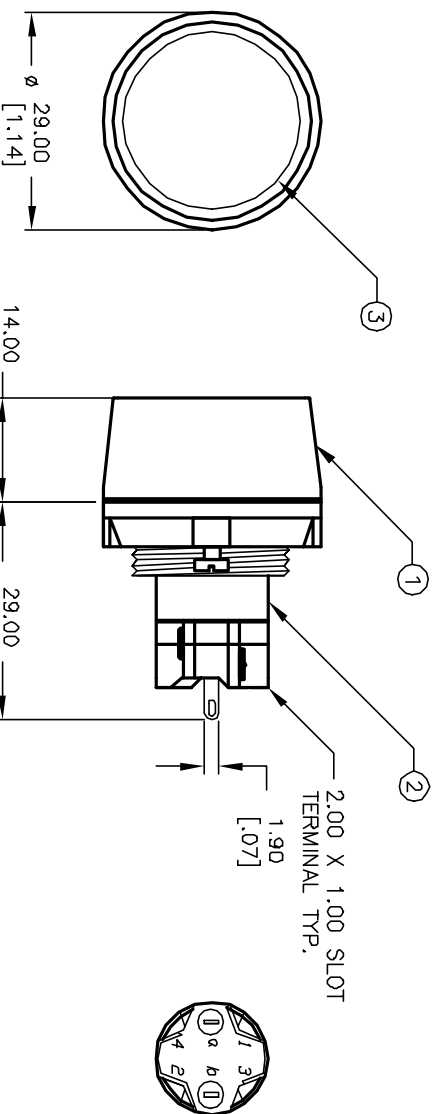
RECOMMENDED PANEL MOUNTING

1.0 ± 0.2
3.0 ± 0.4
a-(L)-b (+)

SPST
CONTACT CONFIGURATION

NOTES:

1. ALL DIMENSIONS IN MM [INCH]
2. GENERAL TOLERANCE: X.X=±0.4 X.XX=±0.25
3. RATINGS: 250VAC @1A, 2A, 4A, 5A



| REV. | ECN No. | DESCRIPTION | DATE | CHK'D |
|------|---------|-------------------------|---------|-------|
| A | 11198 | RELEASED FOR PRODUCTION | 2/12/02 | CJB |

| TITLE | | SCALE | DATE | DR | DWG | REV |
|-----------------------------|--|-------|---------|-----|---------|-----|
| LAS DA U1 10 RED (W/D LAMP) | | 1:1 | 1/25/01 | CJB | XF0348P | A |

E-SWITCH®

THE INFORMATION CONTAINED IN THIS DOCUMENT IS PROPRIETARY TO E-SWITCH AND IS NOT TO BE COPIED OR TRANSMITTED