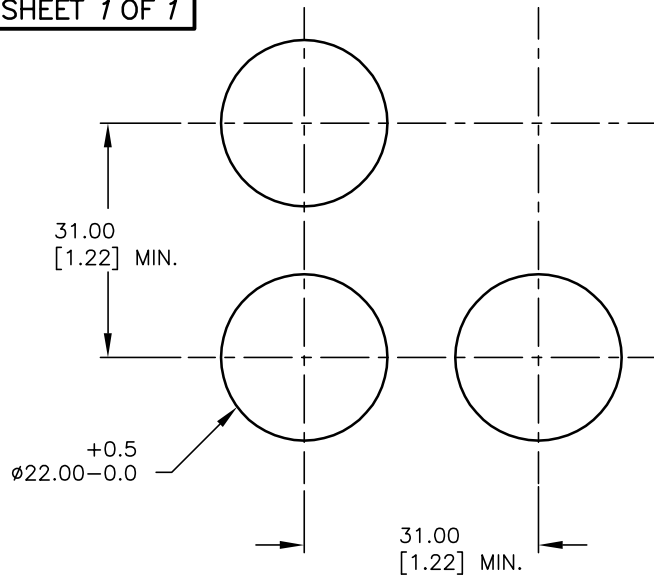


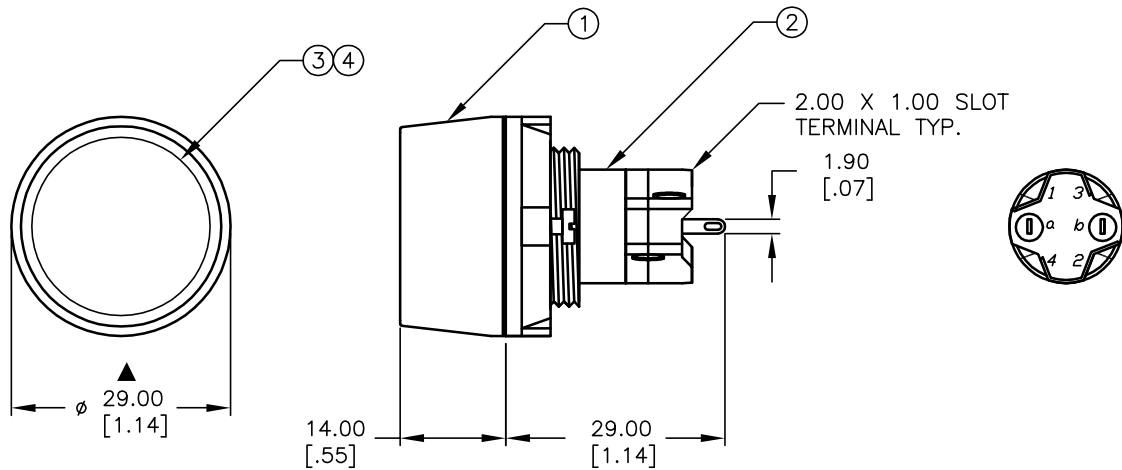
PARTS LIST			
Item	Qty.	Dwg. No.	Part No.
1	1	F051701	29mm RING FOR LA SERIES
2	1	F060610	LASOAU110
3	1	F060294	29mm GREEN LENS
4	1	F050416	50-004-16 GREEN LAMP



RECOMMENDED PANEL MOUNTING

1 0 1 0 2
 3 0 0 4
 a-(L)-b (+)

SPST
 CONTACT CONFIGURATION



NOTES:

1. ALL DIMENSIONS IN MM [INCH]
2. GENERAL TOLERANCE: X.X=±0.4
 X.XX=±0.25
3. RATINGS: 250VAC @1A, 2A, 4A, 5A
- ▲ 4. LAMP VOLTAGE: 6VDC
5. ▲ DENOTES CRITICAL PARAMETER.

E-SWITCH®

TITLE		LASOAU11HGRNGRN			
SCALE	DATE	DR	DWG	REV	
1:1	10/1/03	AR	XF0570P	A	

THE INFORMATION CONTAINED IN THIS DOCUMENT IS PROPRIETARY TO E-SWITCH AND IS NOT TO BE COPIED OR TRANSFERRED

A	13498	RELEASED FOR PRODUCTION	10/1/03	AR
REV.	ECN No.	DESCRIPTION	DATE	CHKD