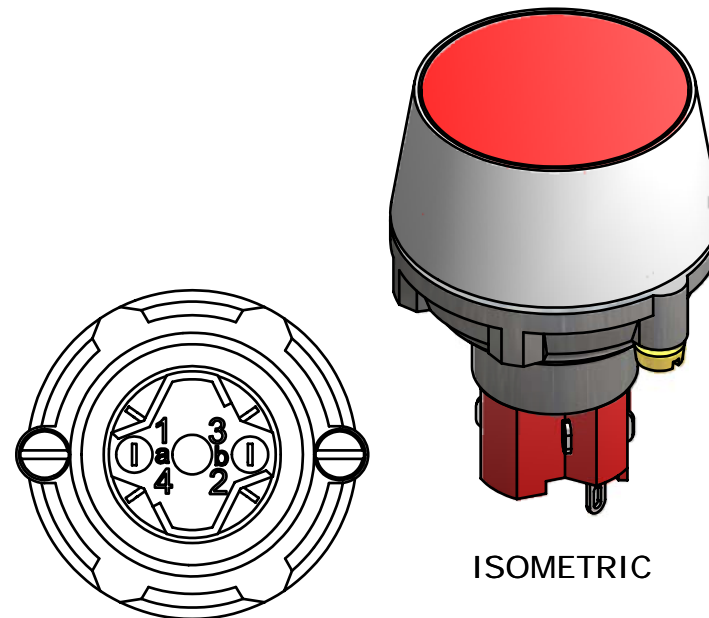


Parts List			
ITEM	QTY	PART NUMBER	DESCRIPTION
1	1	F060610	LASOAU11
2	1	F051701	29MM RING FOR LA
3	1	F050420	50-004-20 12VDC LED RED
4	1	F060295	29mm RED LENS



- NOTE:
- ALL DIMENSIONS IN MM [INCH]
 - GENERAL TOLERANCE: X.X=±0.4
X.XX=±0.25
 - TERMINAL NUMBERS FOR REF ONLY
 - RATING: 5 AMPS @ 250VAC UL, VDE APPROVED
6 AMPS @ 24VDC UL, VDE APPROVED
 - ELECTRIC LIFE: 25,000 MAKE-AND-BREAK CYCLES AT FULL LOAD.
 - INSULATION RESISTANCE: 1,000 MEGA-OHM MIN.
 - OPERATING TEMP.: -25°C to 55°C
 - LAMP VOLTAGE: 12VDC RED LED
 - ▲ DENOTES CRITICAL PARAMETER.
 - 2002/95/EC (ROHS) COMPLIANT



A	16743	RELEASED FOR PRODUCTION	12/12/06	TN
REV	PCR NO	DESCRIPTION	DATE	BY
THE INFORMATION CONTAINED IN THIS DOCUMENT IS PROPRIETARY TO E-SWITCH AND IS NOT TO BE COPIED OR TRANSFERRED				

TITLE LASOAU11JREDRED				
SCALE	DATE	DR	DWG	REV
1.5:1	12/12/2006	TN	XF0700P	A