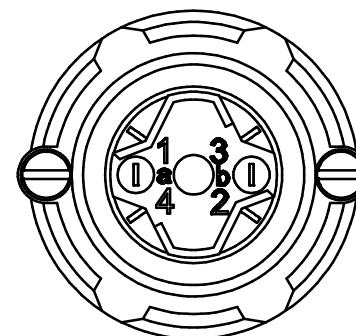
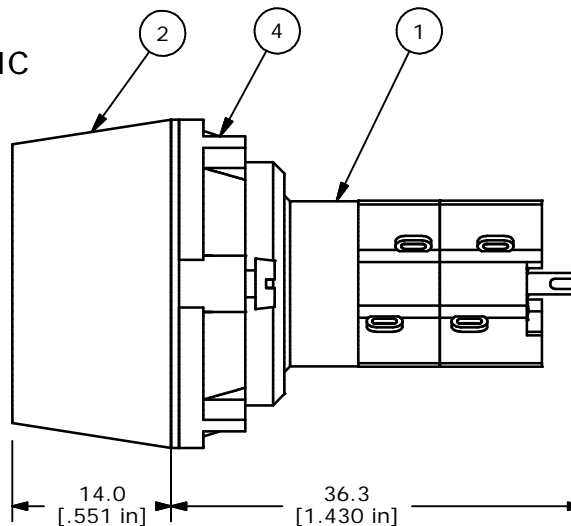


ISOMETRIC



Parts List			
ITEM	QTY	PART NUMBER	DESCRIPTION
1	1	F060611	LASOAU12
2	1	F051701	29MM RING FOR LA SERIES
3	1	F060294	29MM GREEN OPAQUE LENS
4	1	F060250	29MM LA U1 NUT

- NOTE:
1. ALL DIMENSIONS IN MM [INCH]
 2. GENERAL TOLERANCE: X.X=±0.4
X.XX=±0.25
 3. TERMINAL NUMBERS FOR REF ONLY
 4. RATING: 5 AMPS @ 250VAC UL, VDE APPROVED
8 AMPS @ 125VAC UL, VDE APPROVED
 5. ELECTRIC LIFE: 50,000 MAKE-AND-BREAK CYCLES AT FULL LOAD.
 6. INSULATION RESISTANCE: 1,000 MEGA-OHM MIN.
 7. OPERATING TEMP.: -20°C to 55°C
 - ▲ 8. LAMP VOLTAGE: NO LAMP
 - ▲ 9. ▲ DENOTES CRITICAL PARAMETER.

E-SWITCH®

B	14771	CORRECT DESCRIPTION FOR ITEM #1	3/15/05	AR
A	14736	RELEASED FOR PRODUCTION	3/10/05	AR
REV	PCR NO	DESCRIPTION	DATE	BY

TITLE LASOAU120GRN				
SCALE	DATE	DR	DWG	REV
1.5:1	3/10/05	AR	XF0633P	B

THE INFORMATION CONTAINED IN THIS DOCUMENT IS PROPRIETARY TO E-SWITCH AND IS NOT TO BE COPIED OR TRANSFERRED