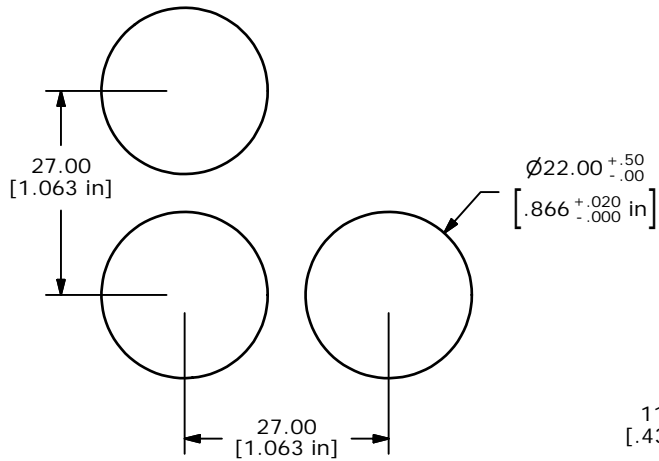
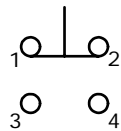


Parts List			
ITEM	QTY	PART NUMBER	DESCRIPTION
1	1	F060606	LASOAV11
3	1	F051702	25 MM RING FOR LA SERIES GRAY
3	1	F060255	25MM RED LENS OPAQUE



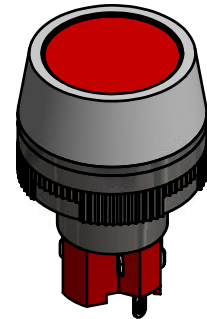
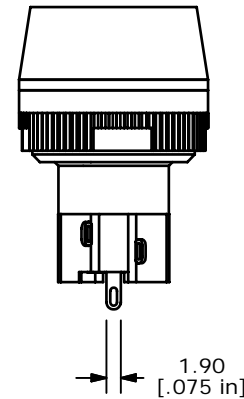
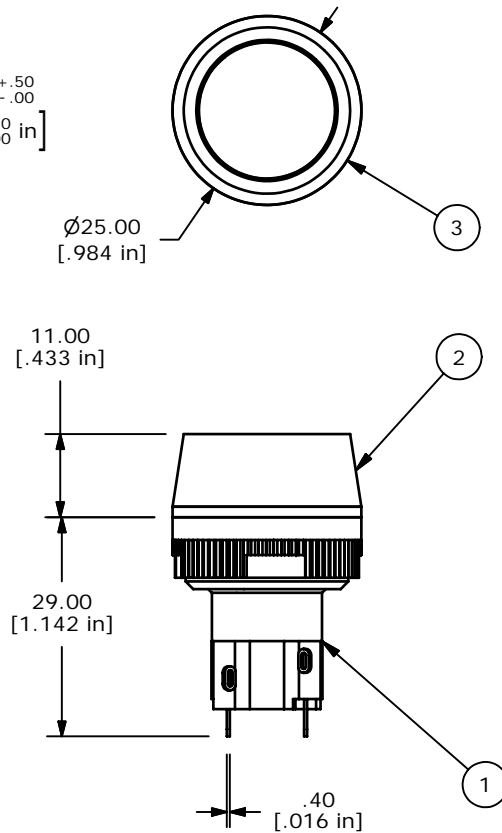
RECOMMEND PANEL MOUNTING



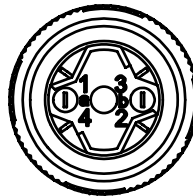
SPDT
CONTACT CONFIGURATION

NOTES:

- ALL DIMENSIONS IN MM [INCH].
- GENERAL TOLERANCE: 0.0=±0.4
0.00=±0.25
- TERM. NOS. FOR REF. ONLY.
- RATING: 5A @250VAC
8A @125VAC
.2A @250VDC
6A @24VDC
- ELECTRIC LIFE: 25,000 MAKE-OR-BREAK CYCLES AT FULL LOAD.
- INSULATION: 1,000 MΩ MIN.
- DIELECTRIC STRENGTH: 2000V FOR 1 MIN.
- OPERATING TEMP: -20°C TO 70°C
- LENS COLOR: RED



ISOMETRIC



E-SWITCH®

TITLE LASOAV110RED

A	15222	RELEASED FOR PRODUCTION	8/31/05	PH
REV	PCR NO	DESCRIPTION	DATE	BY

SCALE	DATE	DR	DWG	REV
1:1	8/31/2005	PH	XF0215P	A

THE INFORMATION CONTAINED IN THIS DOCUMENT IS PROPRIETARY TO E-SWITCH AND IS NOT TO BE COPIED OR TRANSFERRED