

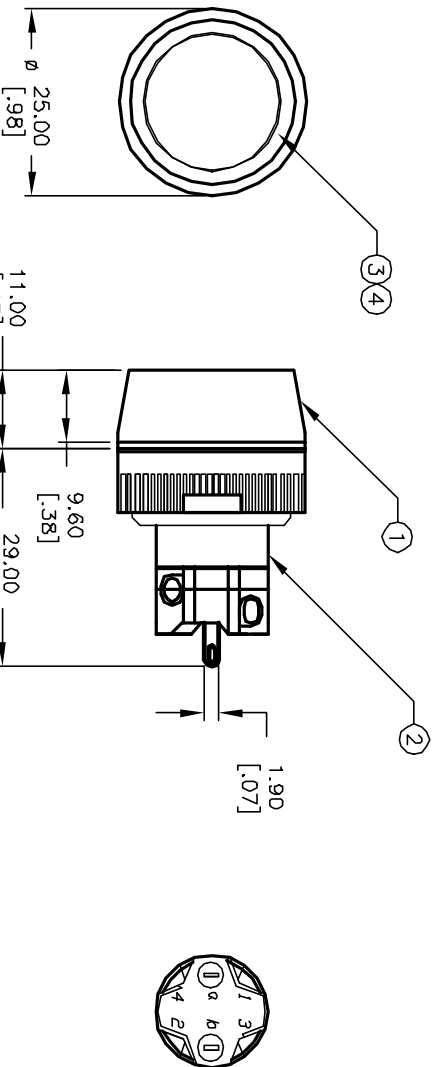
RECOMMENDED PANEL MOUNTING

1.0 ± 0.2  
3.0 ± 0.4  
a-L-b (+)

SPST CONTACT CONFIGURATION

NOTES:

1. ALL DIMENSIONS IN MM
2. GENERAL TOLERANCE: X.X=±0.4 X.XX=±0.25
3. RATINGS: 5A@250V AC, 8A@125V AC
4. CONTACT MATERIAL: COPPER ALLOY W/Gold Plating
5. TRAVEL: 3.0mm (Total) 2.0mm (LATCH)
6. MECHANICAL LIFE: >100,000 Cycles
7. ELECTRICAL LIFE: >50,000 Cycles
8. INSULATION RESISTANCE: >1000 MILLI-OHMS
9. OPERATING TEMP: -20°C to 55°C
10. LAMP VOLTAGE: 6VDC 200mA (INCANDESCENT)



PARTS LIST

Item	Qty.	Dwg. No.	Part No.
1	1	F051702	25mm RING FOR LA SERIES
2	1	F060606	LASOAV110
3	1	F060253	25mm WHIT LENS (OPAQUE)
4	1	F050402	50-004-02

REV.	ECN NO.	DESCRIPTION	DATE	CHKD
A	12788	RELEASED FOR PRODUCTION	2/04/03	CJB

TITLE	SCALE	DATE	DR	DWG	REV
LAS DA V11 A WHT	1:1	2/04/03	CJB	XF0541P	A



THE INFORMATION CONTAINED IN THIS DOCUMENT IS PROPRIETARY TO E-SWITCH AND IS NOT TO BE COPIED OR TRANSMITTED