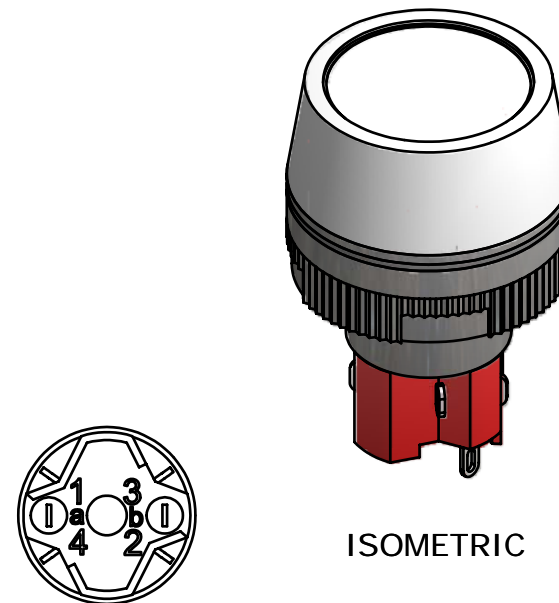


Parts List			
ITEM	QTY	PART NUMBER	DESCRIPTION
1	1	F060606	LASOAV11
2	1	F051702	25MM RING FOR LA SERIES
3	1	F060253	25MM WHITE LENS
4	1	F050416	50-004-16 6VDC LED GREEN



ISOMETRIC

- NOTE:
1. ALL DIMENSIONS IN MM [INCH]
 2. GENERAL TOLERANCE: X.X=±0.4
X.XX=±0.25
 3. TERMINAL NUMBERS FOR REF ONLY
 4. RATING: 5 AMPS @ 250VAC UL, VDE APPROVED
6 AMPS @ 24VDC UL, VDE APPROVED
 5. ELECTRIC LIFE: 50,000 MAKE-AND-BREAK CYCLES AT FULL LOAD.
 6. INSULATION RESISTANCE: 1,000 MEGA-OHM MIN.
 7. OPERATING TEMP.: -25°C to 55°C
 - ▲8. LAMP VOLTAGE: 6VDC LED
 9. ▲ DENOTES CRITICAL PARAMETER.
 10. PACKAGE: BOX/20 PIECES PER BOX
 - ▲11. 2002/95/EC (ROHS) COMPLIANT

E-SWITCH®

A	16932	RELEASED FOR PRODUCTION	1/29/07	TN
REV	PCR NO	DESCRIPTION	DATE	BY

TITLE LASOAV11HGRNWHT				
SCALE	DATE	DR	DWG	REV
1.5:1	1/29/2007	TN	XF0711P	A

THE INFORMATION CONTAINED IN THIS DOCUMENT IS PROPRIETARY TO E-SWITCH AND IS NOT TO BE COPIED OR TRANSFERRED