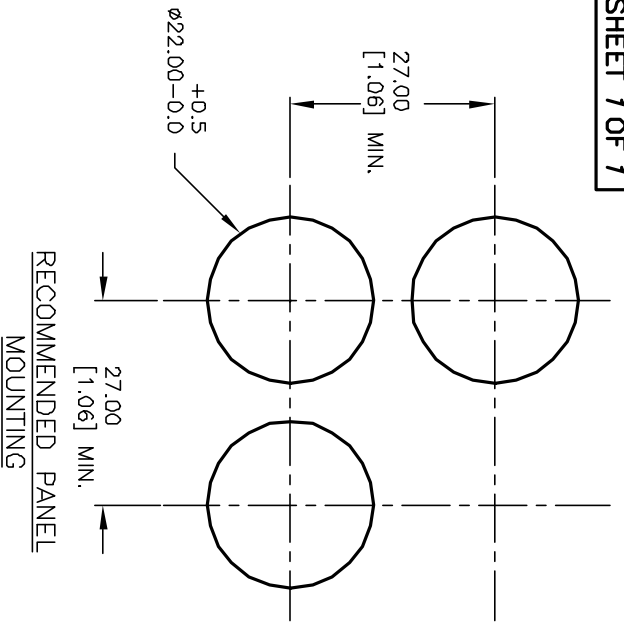


PARTS LIST			Part No.
Item	Qty.	Dwg. No.	
1	1	F051702	25mm RING FOR LA SERIES
2	1	F060606	LASOAV110
3	1	F060255	25mm RED LENS (TRANSPARENT)
4	1	F050417	50-004-17 RED L.E.D.

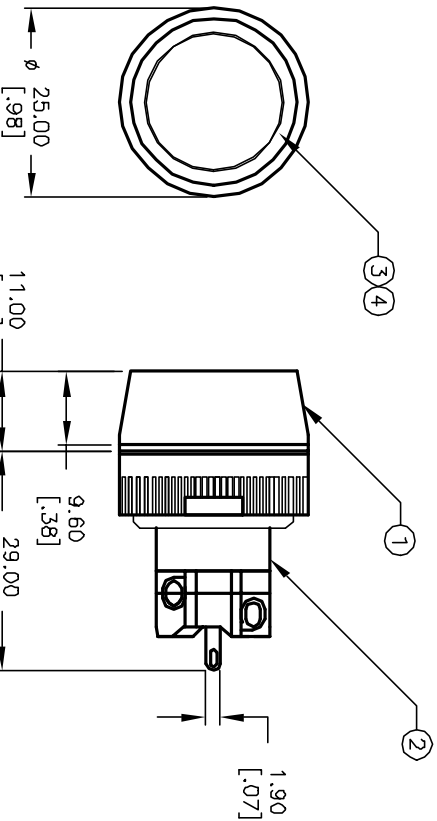


1.0 ± 0.2
3.0 ± 0.4
a-L-b (+)

SPST
CONTACT CONFIGURATION

NOTES:

1. ALL DIMENSIONS IN MM
2. GENERAL TOLERANCE: X.X = ±0.4
X.XX = ±0.25
3. RATINGS: 5A@250V AC,
BA@125V AC
4. CONTACT MATERIAL: COPPER ALLOY W/Gold Plating
5. TRAVEL: 3.0mm (Total) 2.0mm (Latch)
6. MECHANICAL LIFE: >100,000 Cycles
7. ELECTRICAL LIFE: >50,000 Cycles
8. INSULATION RESISTANCE: >1000 MILLI-OHMS
9. OPERATING TEMP: -20°C to 55°C
10. LAMP VOLTAGE: 8VDC (L.E.D.)
11. ▲ DENOTES CRITICAL PARAMETER.



REV.	ECN No.	DESCRIPTION	DATE	CHKD	AR
A	13097	RELEASED FOR PRODUCTION	4/30/03		

TITLE	SCALE	DATE	DR	DWG	REV
LASOAV11HREDRED	1:1	4/30/03	AR	XF0552P	A

E-SWITCH®

THE INFORMATION CONTAINED IN THIS DOCUMENT IS PROPRIETARY TO E-SWITCH AND IS NOT TO BE COPIED OR TRANSFERRED