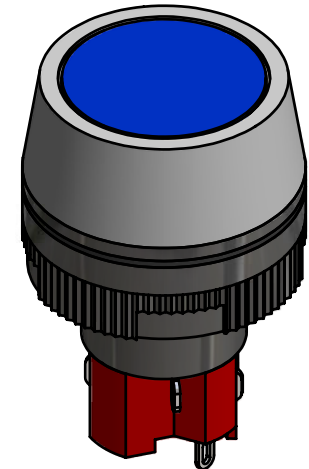
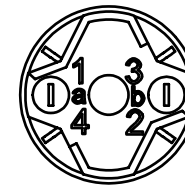
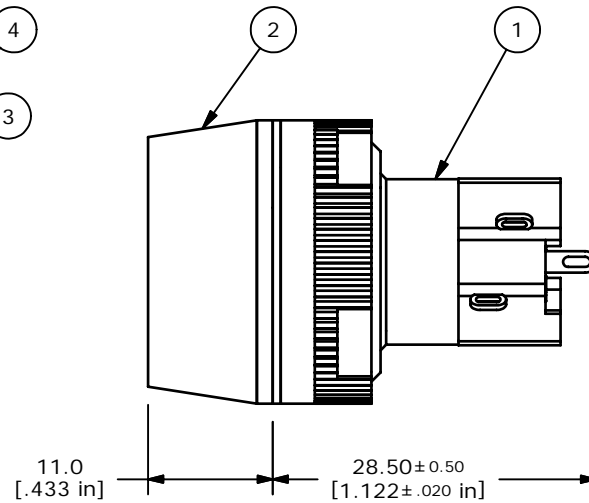
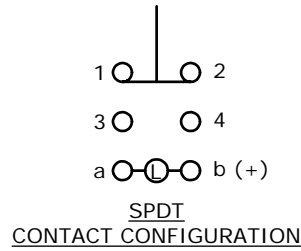
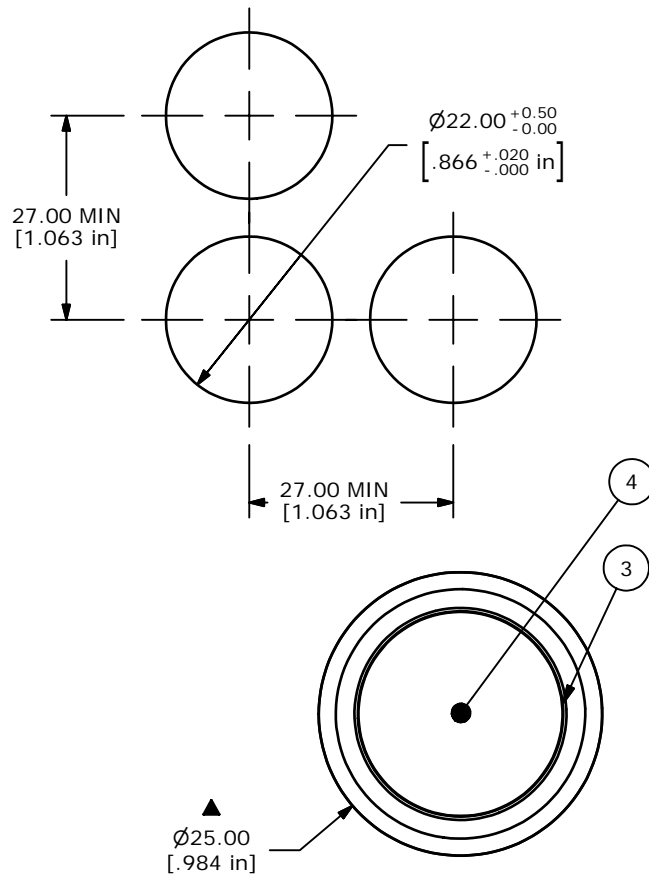


Parts List				
ITEM	QTY	PART NUMBER	DESCRIPTION	
1	1	F060606	LASOAV11	
2	1	F051702	25MM RING FOR LA SERIES	
3	1	F060201	25MM BLUE LENS	
4	1	F050422	50-004-22 24VDC LED GRN	



ISOMETRIC

NOTE:

1. ALL DIMENSIONS IN MM [INCH]
2. GENERAL TOLERANCE: X.X=±0.4
X.XX=±0.25
3. TERMINAL NUMBERS FOR REF ONLY
4. RATING: 5 AMPS @ 250VAC UL, VDE APPROVED
6 AMPS @ 240VDC UL, VDE APPROVED
5. ELECTRIC LIFE: 25,000 MAKE-AND-BREAK CYCLES AT FULL LOAD.
6. INSULATION RESISTANCE: 1,000 MEGA-OHM MIN.
7. OPERATING TEMP.: -25°C to 55°C
- ▲ 8. LAMP VOLTAGE: 24VDC LED
9. ▲ DENOTES CRITICAL PARAMETER.

E-SWITCH®

A	15566	RELEASED FOR PRODUCTION	12/1/05	PH
REV	PCR NO	DESCRIPTION	DATE	BY

TITLE LASOAV11KGRNBLU				
SCALE	DATE	DR	DWG	REV
1.5:1	12/1/2005	PH	XF0658P	A

THE INFORMATION CONTAINED IN THIS DOCUMENT IS PROPRIETARY TO E-SWITCH AND IS NOT TO BE COPIED OR TRANSFERRED