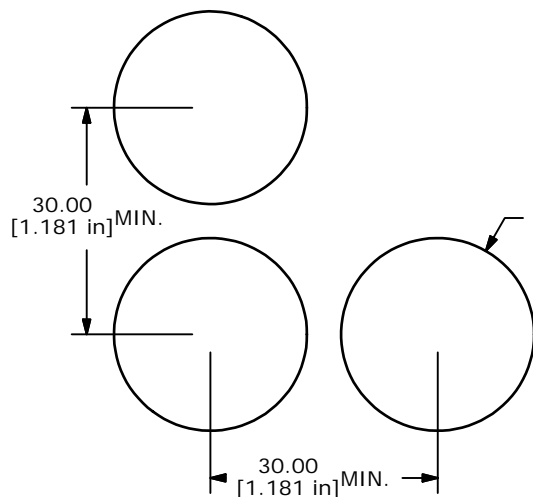
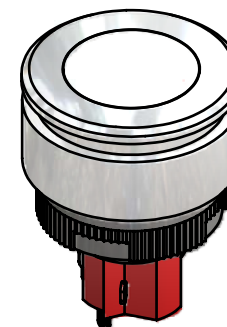
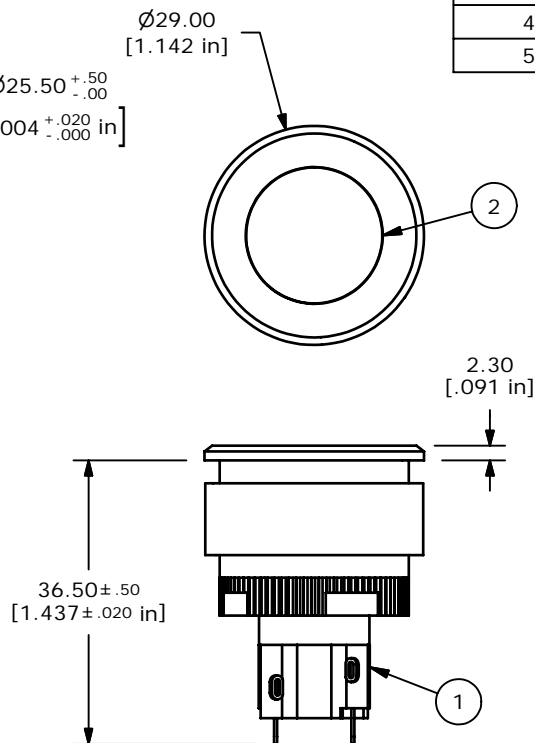


▲ Parts List

ITEM	QTY	PART NUMBER	DESCRIPTION
1	1	F060606	LASOAV11
2	1	F060205	25 MM WHITE LENS
3	1	F051705	29MM FLUSH MOUNT RETAINER
4	1	F051704	29MM FLUSH MOUNT BEZEL
5	1	F050419	GREEN 12VDC LED



RECOMMEND PANEL MOUNTING

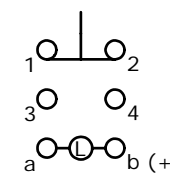
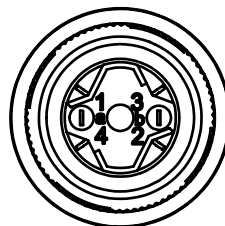


ISOMETRIC

- NOTES:
- ALL DIMENSIONS IN MM [INCH].
 - GENERAL TOLERANCE: 0.0±0.4

0.00±0.25

- TERM. NOS. FOR REF. ONLY.
- ▲4. RATING: 5A @250VAC
8A @125VAC
.2A @250VDC
6A @24VDC
- INSULATION: 1,000 MΩ MIN.
- DIELECTRIC STRENGTH: 2000V FOR 1 MIN.
- ELECTRICAL LIFE: 50,000 MAKE-AND-BREAK CYCLES AT FULL LOAD.
- OPERATING TEMP: -25C TO +55C
- PANEL THICKNESS: 0.5MM TO 3.0MM
- ▲10. LED VOLTAGE: 12VDC GREEN
- ▲11. ▲ DENOTES CRITICAL PARAMETER.
- ▲12. PACKAGE: BOX/10 PER
- 2002/95/EC (ROHS) COMPLIANT



SPDT CONTACT CONFIGURATION

E-SWITCH®

TITLE LASOAV31JGRNWHT

A	17001	RELEASED FOR PRODUCTION	2/16/07	TN
REV	PCR NO	DESCRIPTION	DATE	BY

SCALE	DATE	DR	DWG	REV
1:1	2/16/2007	TN	XF0712P	A

THE INFORMATION CONTAINED IN THIS DOCUMENT IS PROPRIETARY TO E-SWITCH AND IS NOT TO BE COPIED OR TRANSFERRED