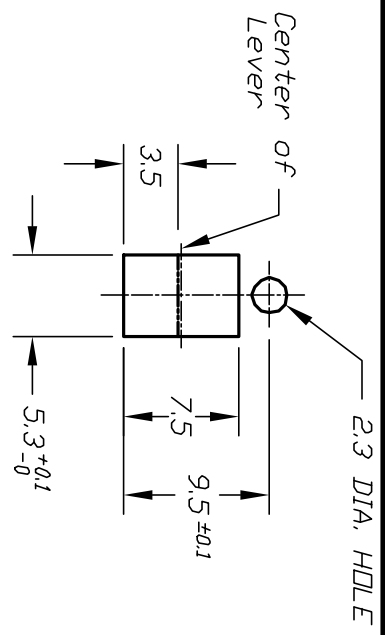
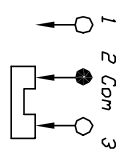
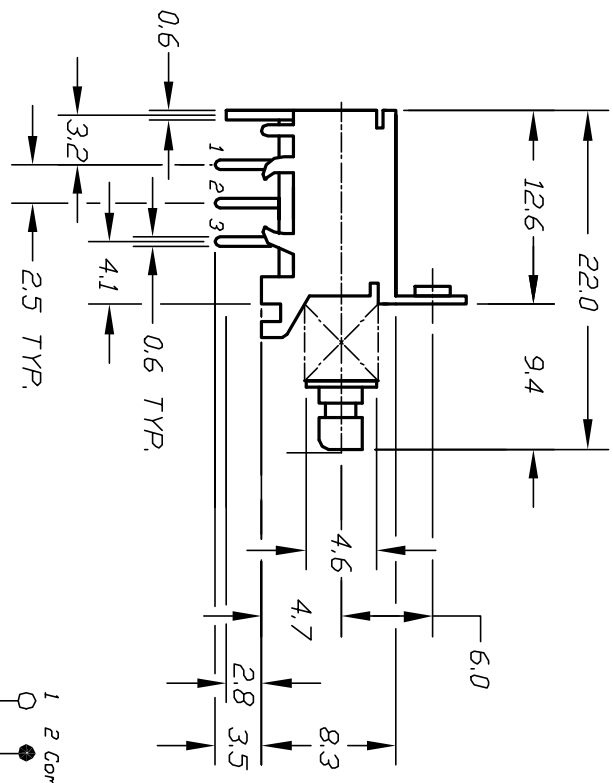


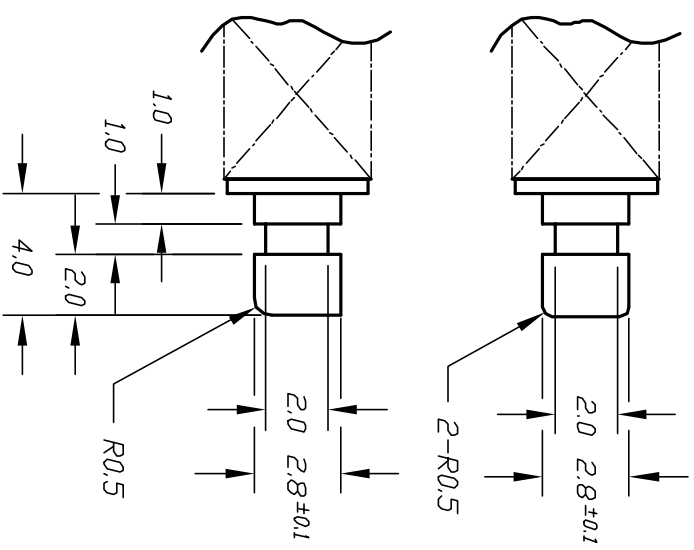
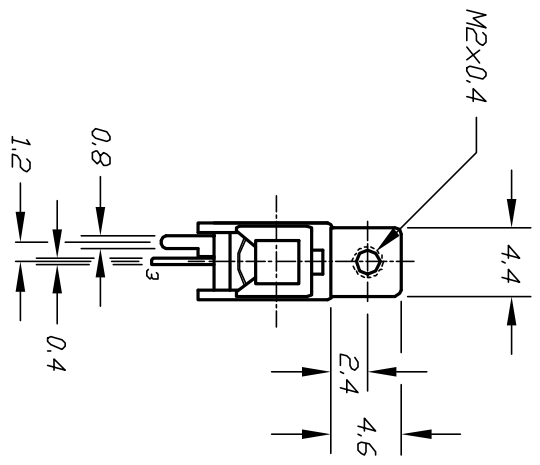
RECOMMEND P.C.B. HOLES



PANEL LAYOUT



CIRCUIT: SPDT



(ACTUATOR DETAIL) SCALE 4:1

CONTACT CONFIGURATION

- NOTES:
1. ALL DIMENSIONS IN MM
 2. GENERAL TOLERANCE: X.X=±0.4
X.XX=±0.25
 3. RATING: 30V DC, 0.3A
 4. OPERATING FORCE: 250±100gf.
 5. TRAVEL: FULL 3.5mm; Lock 2.5mm
 6. TIMING: NON-SHORTING

REV.		ECN No.		DESCRIPTION		DATE		CHKD		TITLE		SCALE		DATE		DR		DWG		REV	
A		12942		RELEASED FOR PRODUCTION		3/21/03		AR		LC1257EENP (NON-SHORTING)		2:1		3/21/03		AR		P070112		A	
<p>THE INFORMATION CONTAINED IN THIS DOCUMENT IS PROPRIETARY TO E-SWITCH AND IS NOT TO BE COPIED OR TRANSFERRED</p>																					
<h1>E-SWITCH®</h1>																					