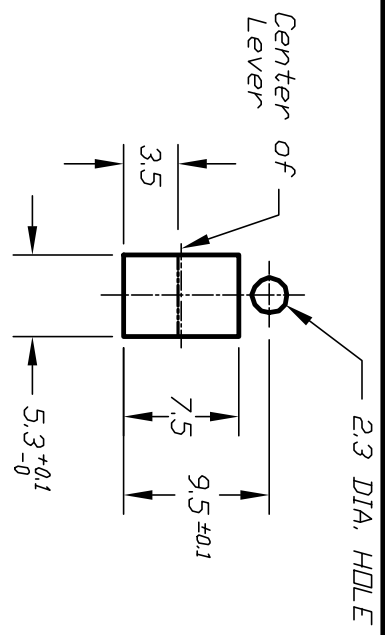
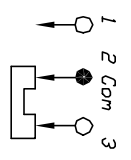
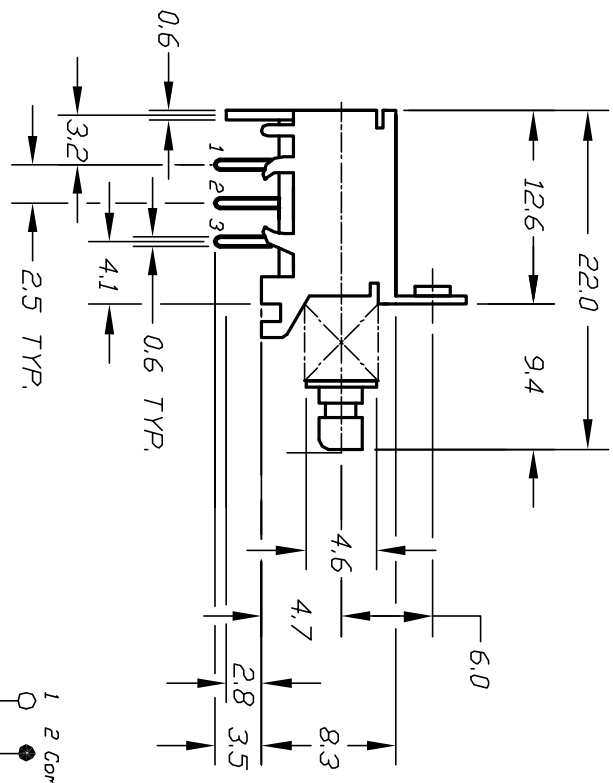


RECOMMEND P.C.B. HOLES

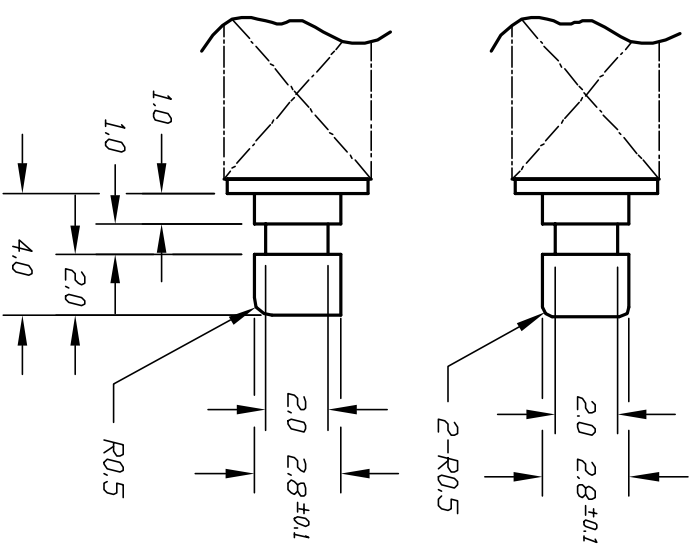
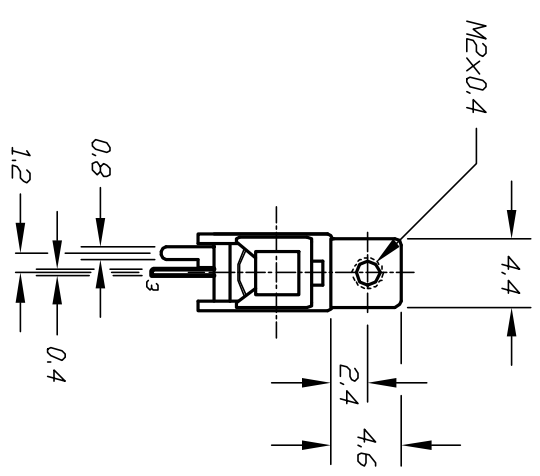


PANEL LAYOUT



CIRCUIT: SPDT

CONTACT CONFIGURATION



(ACTUATOR DETAIL) SCALE 4:1

- NOTES:
1. ALL DIMENSIONS IN MM
 2. GENERAL TOLERANCE: X.X=±0.4
X.XX=±0.25
 3. RATING: 30V DC, 0.3A
 4. OPERATING FORCE: 200±100gf.
 5. TRAVEL: FULL 3.5mm; Lock 2.5mm
 6. TIMING: SHORTING

REV.		ECN No.		DESCRIPTION		DATE		CHKD	
A	12464	RELEASED FOR PRODUCTION	10/4/02	CJB					
TITLE: LC1257 EE SP (SHORTING) E-SWITCH®									
SCALE		DATE		DR		DWG		REV	
2:1		10/4/02		CJB		P070111		A	
THE INFORMATION CONTAINED IN THIS DOCUMENT IS PROPRIETARY TO E-SWITCH AND IS NOT TO BE COPIED OR TRANSFERRED									