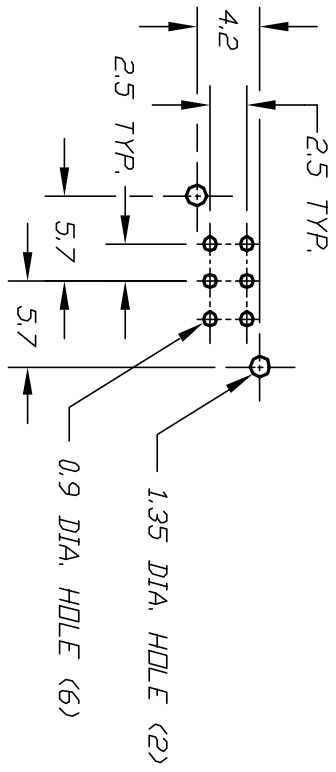
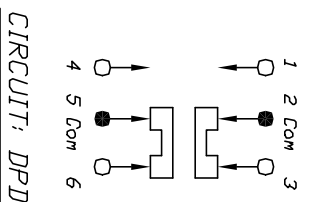


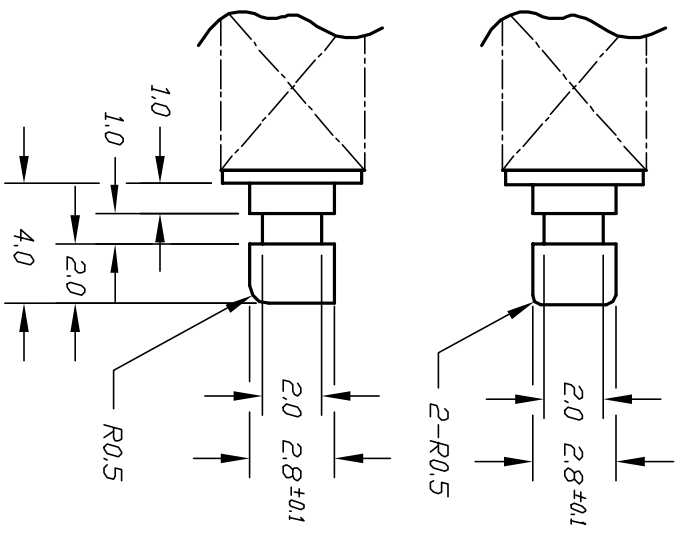
(DETAIL -A-)



RECOMMEND P.C.B. HOLES



CONTACT CONFIGURATION
TIMING: SHORTING



NOTES:

1. ALL DIMENSIONS IN MM (IN)
2. TERM. NOS. FOR REF. ONLY
3. RATING: DC 30V, 0.3A
4. OPERATING FORCE: 330±100gf
5. TRAVEL: FULL 3.5mm, LOCK 2.5mm

TOLERANCES		TITLE	
0.0	±0.4	LC 2259 EE S P	
0.00	±0.25	SCALE	DATE
		2:1	12/9/96
REV.	DESCRIPTION	DATE	CHKD
A	RELEASED FOR PRODUCTION		
<p>E-SWITCH®</p>			
<p>THE INFORMATION CONTAINED IN THIS DOCUMENT IS PRELIMINARY TO E-SWITCH AND IS NOT TO BE COPIED OR TRANSMITTED</p>		DR	DWG
		MM	P070235
		REV	A