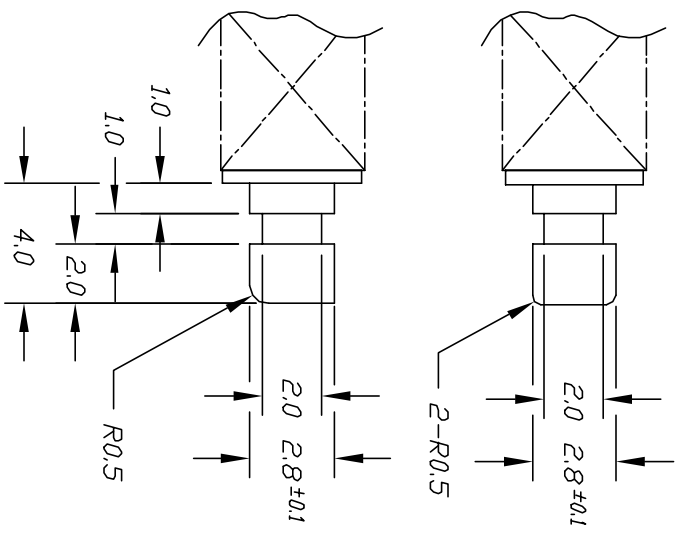
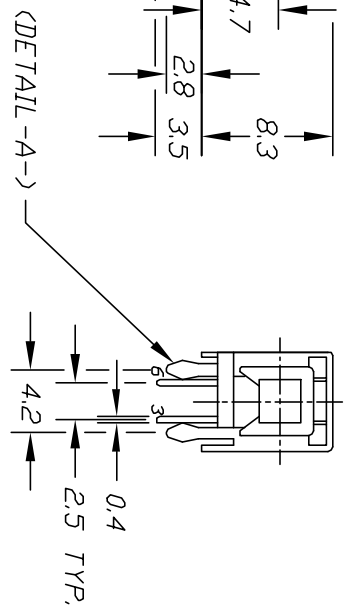
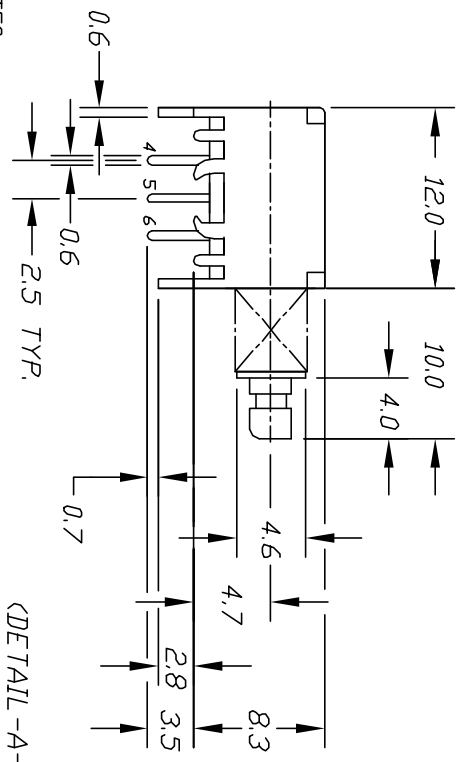
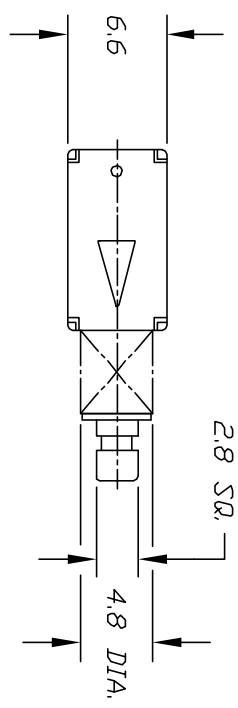


CONTACT CONFIGURATION



NOTES:

1. ALL DIMENSIONS IN MM (IN)
2. TERM. NOS. FOR REF. ONLY
3. RATING: DC 30V, 0.3A
4. OPERATING FORCE: 330±100gf
5. TRAVEL: FULL 3.5mm

REVISED & REDRAWN		TITLE	
C		LC 2259 DA N P	
REV.	DESCRIPTION	DATE	CHKD
TOLERANCES			
0.0	±0.4	SCALE	2:1
0.00	±0.25	DATE	11/7/96
		DR	MM
		DWG	P020100
		REV	C

E-SWITCH®

THE INFORMATION CONTAINED IN THIS DOCUMENT IS PROPRIETARY TO E-SWITCH AND IS NOT TO BE COPIED OR TRANSMITTED