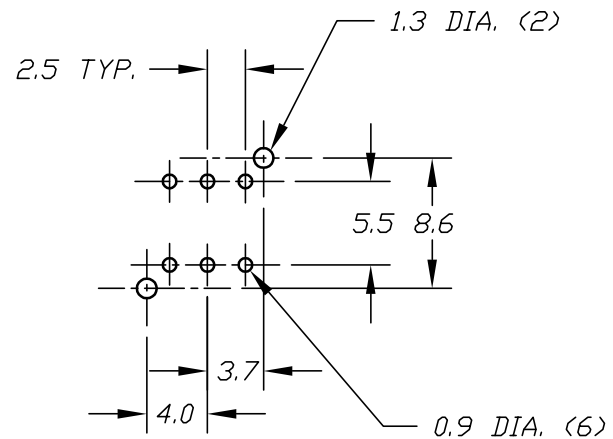
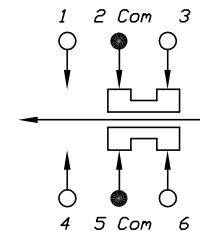
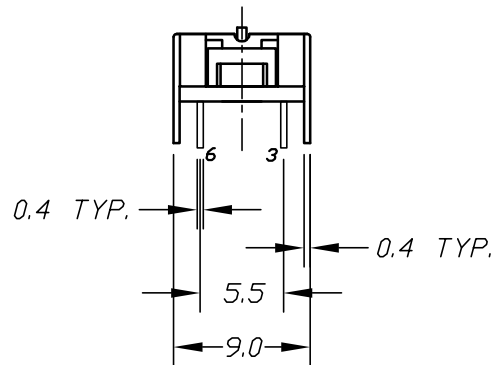
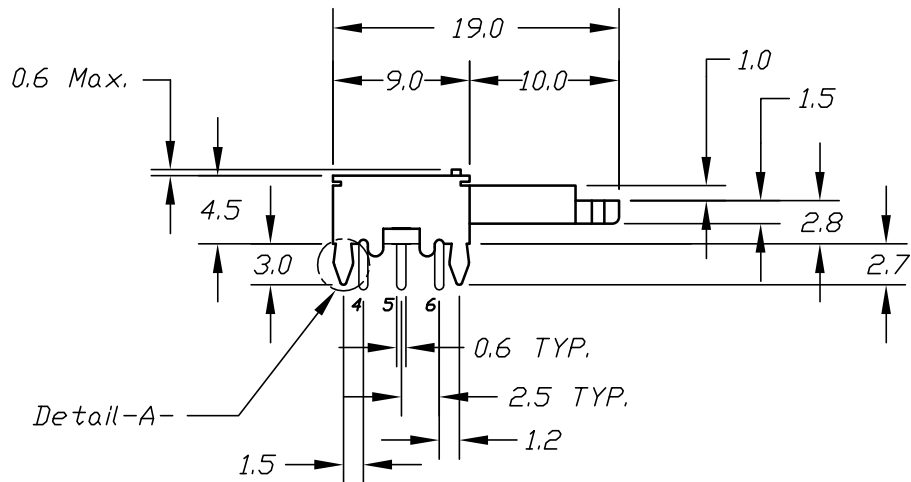


DETAIL-A- (6:1)



RECOMMEND P.C.B. HOLES



CIRCUIT: DPDT
CONTACT CONFIGURATION

NOTES:

1. ALL DIMENSIONS IN MM [IN]
2. TERM. NOS. FOR REF ONLY
3. RATING: DC 30V, 0.3A
4. TIMING: NON SHORTING
5. TRAVEL: FULL: 2.5mm, LOCK: 1.5mm
6. OPERATING FORCE: 200±100gf

				E-SWITCH®	
				TITLE LC 2262EE N P	
				SCALE	DATE
				2:1	2/6/97
				DR	DWG
				MM	P070240
				REV	A
				THE INFORMATION CONTAINED IN THIS DOCUMENT IS PROPRIETARY TO E-SWITCH AND IS NOT TO BE COPIED OR TRANSFERRED	

TOLERANCES	±0.4	±0.25
	0.0	0.00

A	RELEASED FOR PRODUCTION		
REV.	DESCRIPTION	DATE	CHKD