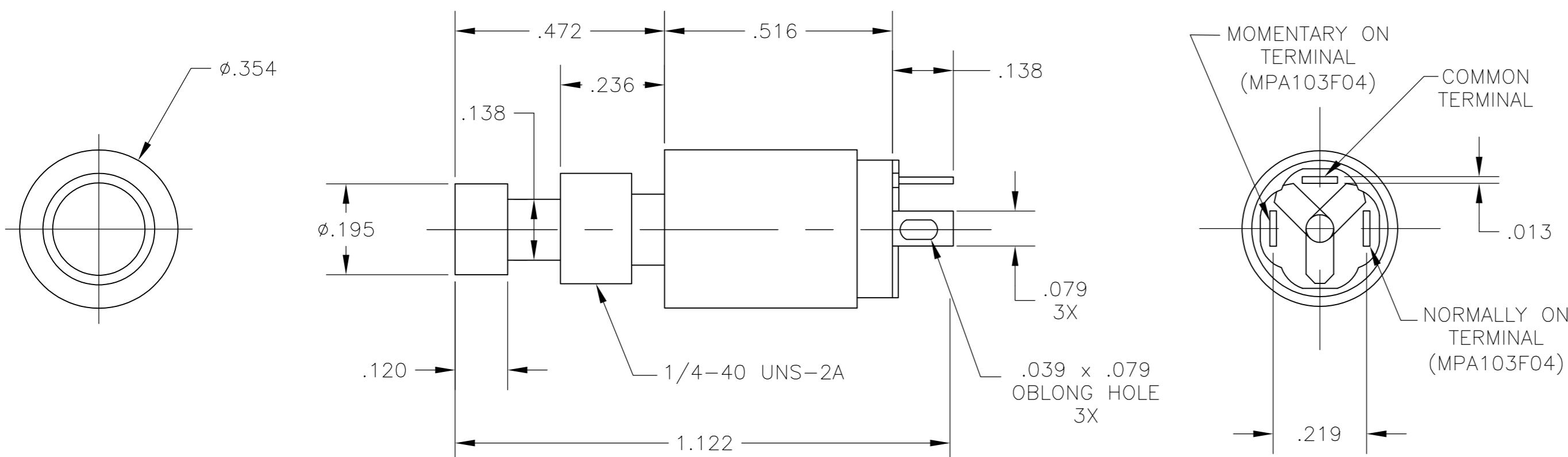


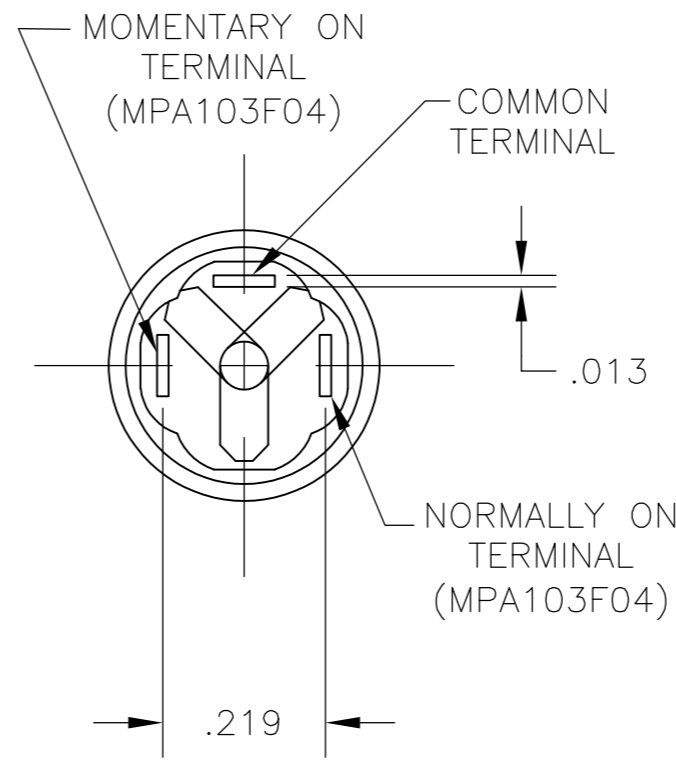
THIS DRAWING IS UNPUBLISHED. RELEASED FOR PUBLICATION  
 © COPYRIGHT BY TYCO ELECTRONICS CORPORATION. ALL RIGHTS RESERVED.

LOC		DIST		REVISIONS			
P	LTR	DESCRIPTION	DATE	DWN	APVD		
B		ECO-07-013560	27JUN2007	RB	MW		

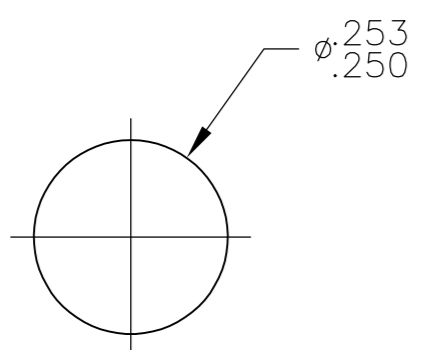
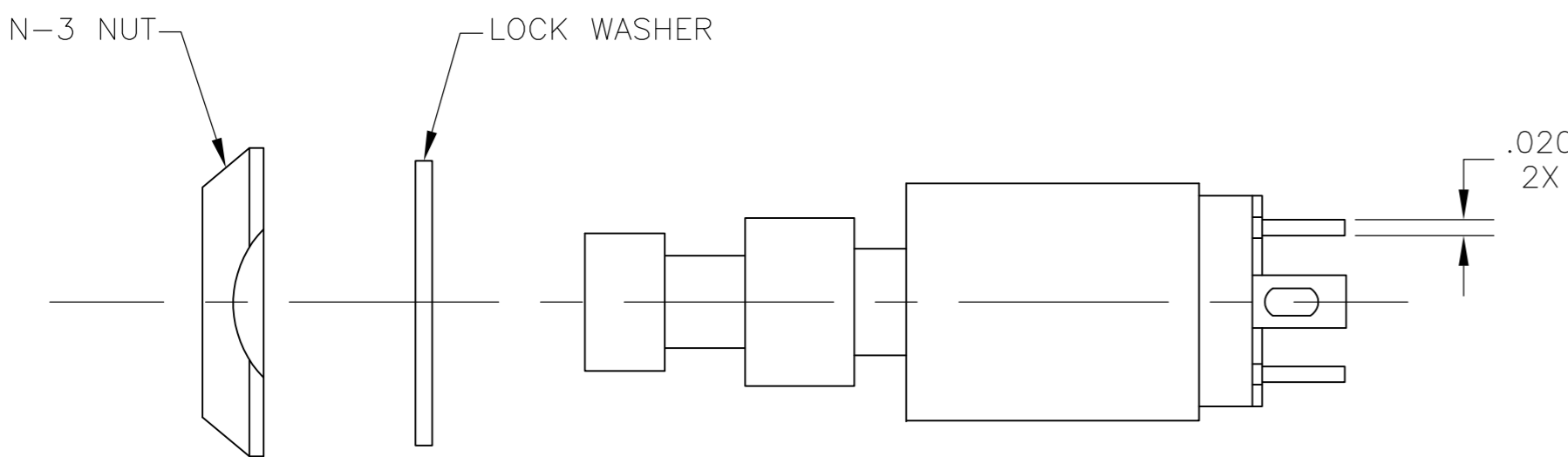


- NOTES:
1. ALL MATERIALS AND FINISHES SHALL COMPLY WITH EU DIRECTIVE 2002/95/EC OF 27JAN2003 (ROHS).
  2. N-3 DECORATIVE MOUNTING NUT AND INTERNAL TOOTH LOCKWASHER SUPPLIED.
  3. SWITCH SUPPLIED WITH .195 DIA x .120 HIGH BLACK CAP. ADDITIONAL COLORS AND A LARGER SIZE CAP ARE AVAILABLE AND MUST BE ORDERED SEPERATELY. SEE DRAWING 6-1437627-2.

△ MARK PER MARK SWITCH COLUMN



PAD LAYOUT



RECOMMENDED PANEL CUTOUT

COMPONENT NAME	BASE MATERIAL	FINISH
CASE	PHENOL RESIN, BLUE	-
COMMON TERMINAL	BRASS	GOLD FLASH
FIXED CONTACT	COPPER	GOLD FLASH
MOVING CONTACT	COPPER	GOLD FLASH OVER SILVER
SPRING, LOWER	PHOSPHER BRONZE	-
SHAFT	BRASS	-
PRESSURE FINGER	PBT 20% GLASS FILLED	-
PRESSURE PIN	BRASS	-
INSULATION PLATE	ACETAL RESIN	-
SPRING, UPPER	PIANO WIRE	-
FRAME	BRASS	NICKLE
LOCK WASHER	STEEL	ZINC, CR3 COATED
HEX NUT	BRASS	NICKEL
PLUNGER	ACETAL RESIN	-
CAP	PVC, BLACK SEE NOTE 3	-

SPECIFICATIONS	
RATING	3A @ 125 VAC
INITIAL CONTACT RESISTANCE	20 MILLIOHMS MAX.
INSULATION RESISTANCE	1000 MEGOHMS MIN
DIELECTRIC WITHSTANDING VOLTAGE	1000 VRMS AT SEA LEVEL
DURABILITY	10,000 CYCLES
OPERATING FORCE	16 OZ
TRAVEL	.118
OPERATING TEMPERATURE	-20°C TO +70°C
STORAGE TEMPERATURE	-40°C TO +80°C

ALCO MPA103F JAPAN	SPDT MOMENTARY (TACTILE)	MPA103F04	1825404-2
ALCO MPA103D JAPAN	SPDT PUSH ON/PUSH OFF (TACTILE)	MPA103D04	1825404-1
MARK SWITCH △ 4	ACTION	ALCO P/N	TYCO P/N

THIS DRAWING IS A CONTROLLED DOCUMENT.

DWN	10APR73	Tyco Electronics Corporation Harrisburg, PA 17105-3608									
L.SCALES	-										
CHK	-	NAME W.MONTAGUE PRODUCT SPEC									
APVD	28DEC95										
APVD	28DEC95	APPLICATION SPEC -									
NAME	-										
MATERIAL	SEE SPECIFICATIONS	WEIGHT	-	SIZE	A2	CAGE CODE	00779	DRAWING NO	1825404	RESTRICTED TO	-
FINISH	SEE SPECIFICATIONS	SCALE	4:1	SHEET	1 of 1	REV	B				

CUSTOMER DRAWING