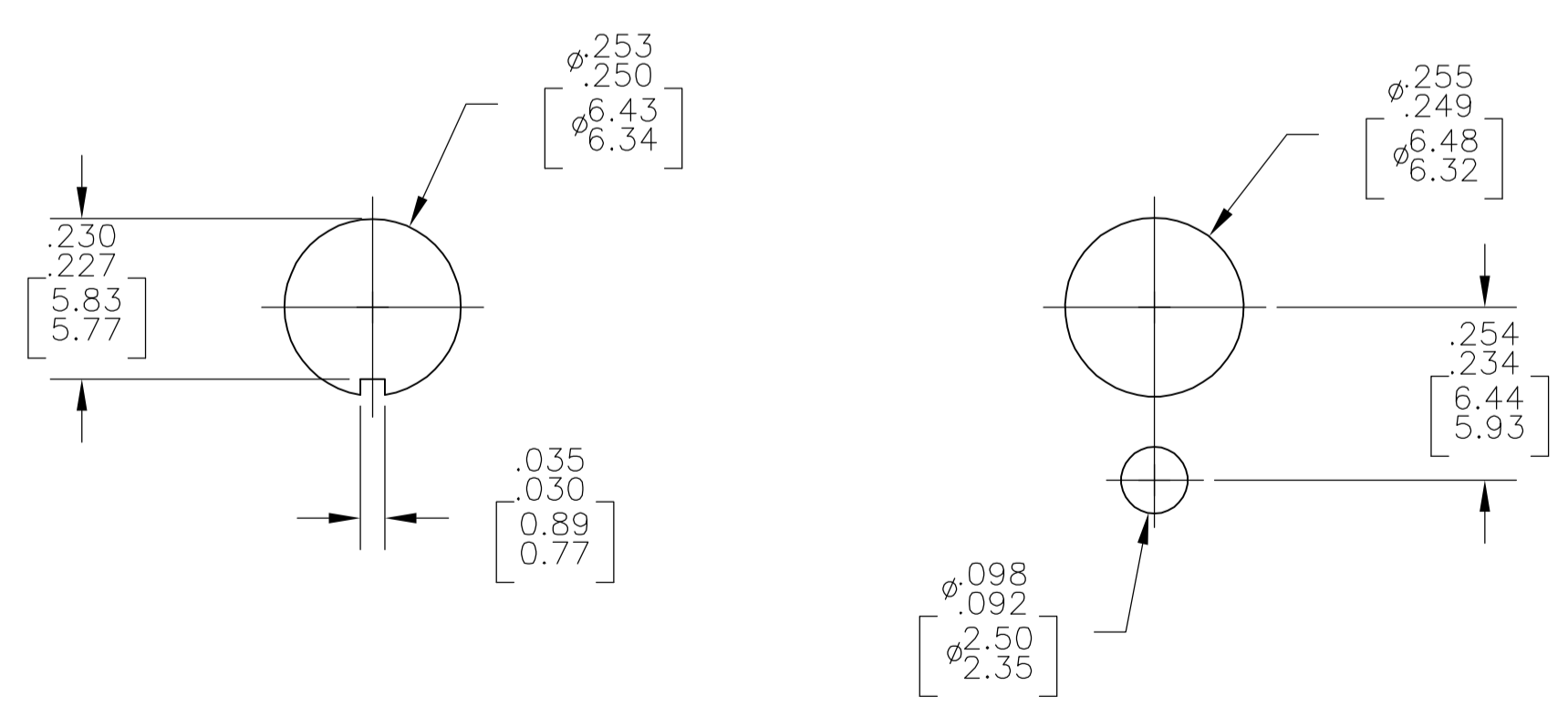
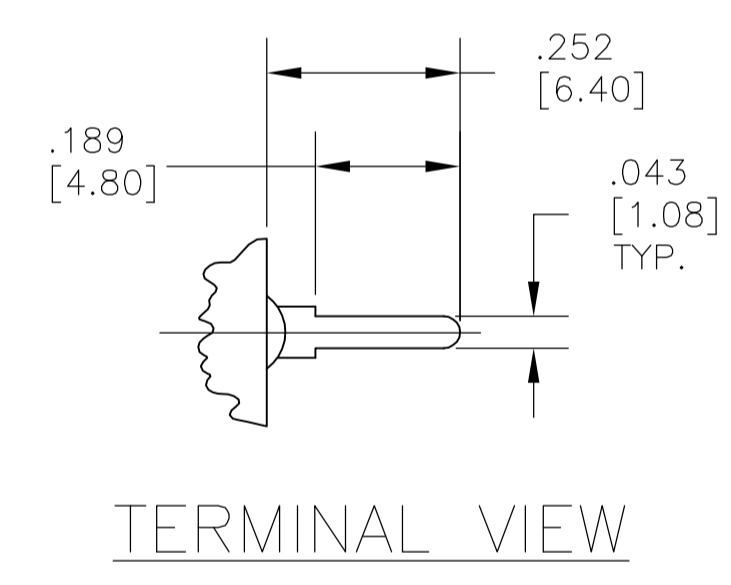
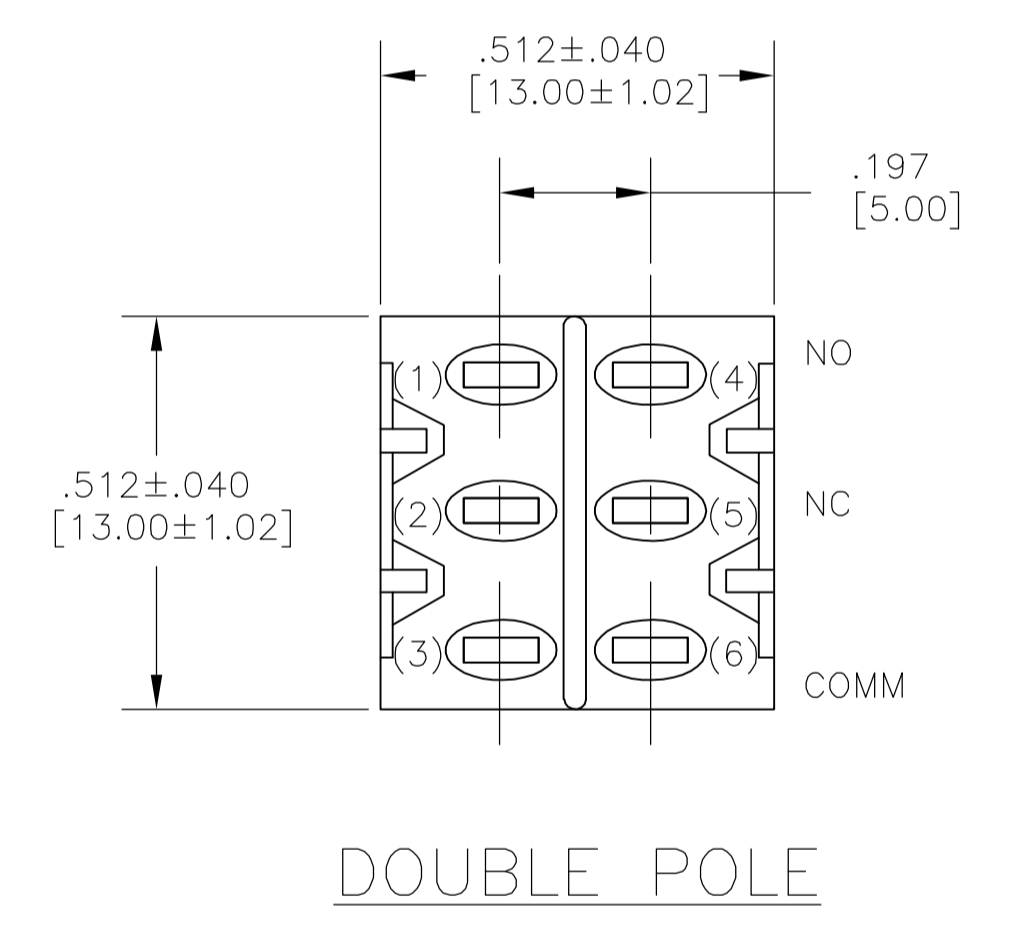
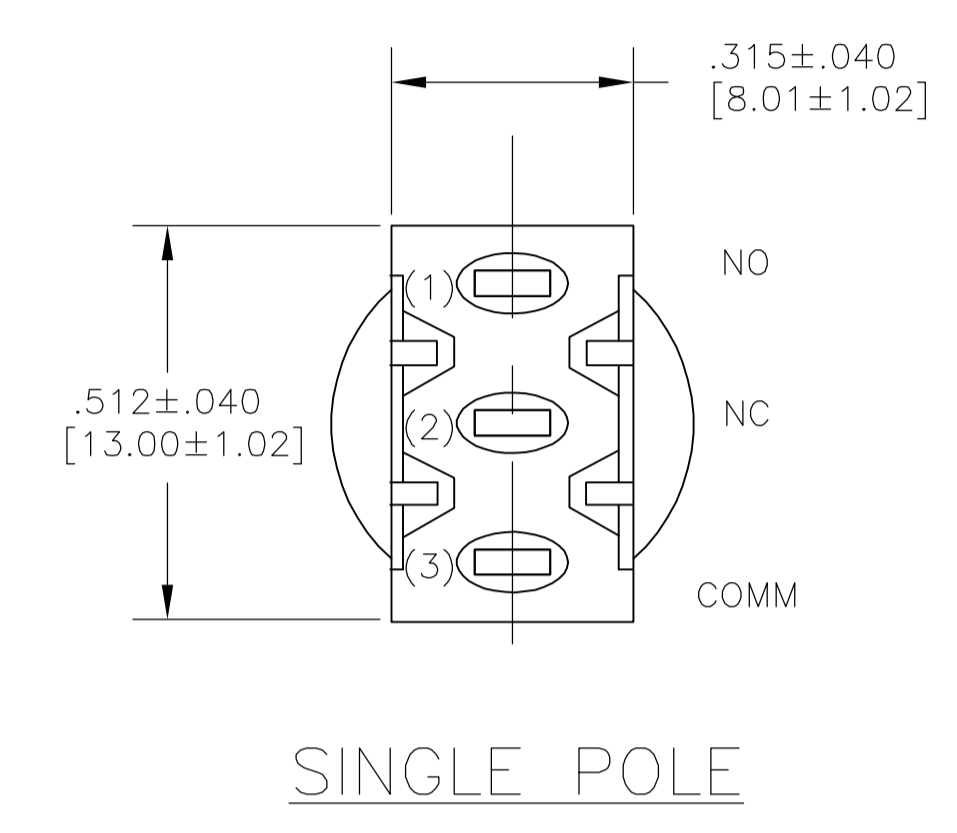
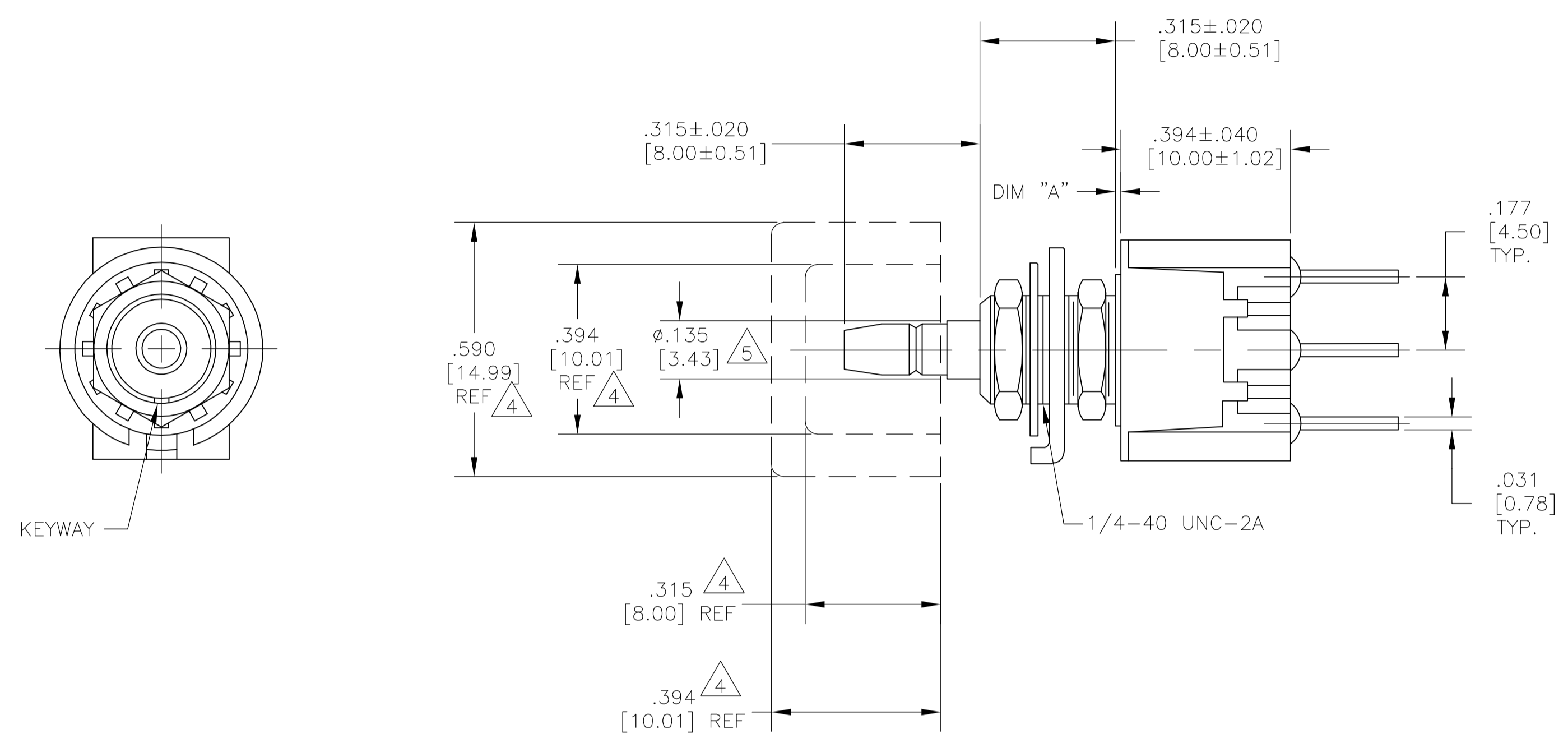


- NOTES:**
- TERMINAL NUMBERS ARE FOR REFERENCE ONLY AND DO NOT APPEAR ON SWITCHES.
 - EACH SWITCH SUPPLIED WITH THE FOLLOWING MOUNTING HARDWARE:
 (2) 1/4-40 UNS-2B HEX NUTS
 (1) INTRERNAL TOOTH LOCKWASHER
 (1) LOCATING RING
 - ALL MATERIALS AND FINISHES SHALL COMPLY WITH EU DIRECTIVE 2002/95/EC OF 27JAN2003 (ROHS).
 - SWITCH DOES NOT INCLUDE PLASTIC CAP. DIMENSIONS SHOWN DESCRIBE ALCO SWITCH CAP C22* AND C23* FOUND ON DRAWINGS 1825068 & 1825069 AND SOLD SEPARATELY.



RECOMENDED HOLE LAYOUT TO PREVENT ROTATION

SPECIFICATIONS	
RATING	3A @ 125VAC, RESISTIVE LOAD
INITIAL CONTACT RESISTANCE	10 MILLIOHMS MAX @ 1A, 2-4 VDC
INSULATION RESISTANCE	1,000 MEGOHMS MIN. @ 500VDC
DIELECTRIC WITHSTANDING VOLTAGE	1,000 VRMS AT SEA LEVEL
DURABILITY	50,000 CYCLES
OPERATING FORCE	MPS103DPC04 = 400 ± 200 GRAMS
	MPS203FPC04 = 300 ± 100 GRAMS
	MPS203NPC04 = 500 +300/-200 GRAMS
	MPS203RPC04 = 500 +200/-100 GRAMS
TRAVEL	MOMENTARY = .039[0.99] PUSH ON/PUSH OFF = .098[2.49]
OPERATING TEMPERATURE	-15C TO +70C
STORAGE TEMPERATURE	-15C TO +70C

MATERIALS		
COMPONENT NAME	BASE MATERIAL	FINISH
CASE	EPOXY RESIN, UL94 V-0, BLACK	
FRAME	STAINLESS STEEL	
ACTUATOR	COPPER ALLOY	NICKEL
FIXED CONTACT	COPPER ALLOY	SILVER
MOVING CONTACT	PHOSPHOR BRONZE, SILVER CLAD	
TERMINALS	COPPER ALLOY	SILVER
LOCKWASHER	STEEL	ZINC, CR3 COATED
LOCATING RING	STEEL	ZINC, CR3 COATED
HEX NUT	BRASS	NICKEL

KEYWAY	CONNECTED TERMINALS	FUNCTION	DIM "A"	THROWS	POLES	ALCO P/N	TYCO P/N		
	3-2, 6-5	3-1, 6-4	ON	MOM	.039[0.99]	2	2	MPS203RPC04	1825399-4
	3-2, 6-5	3-1, 6-4	ON	ON	.098[2.49]	2	2	MPS203NPC04	1825399-3
	3-2	3-1	ON	MOM	.039[0.99]	2	1	MPS103FPC04	1825399-2
	3-2	3-1	ON	ON	.098[2.49]	2	1	MPS103DPC04	1825399-1

THIS DRAWING IS A CONTROLLED DOCUMENT.

DIMENSIONS: INCHES [mm]	TOLERANCES UNLESS OTHERWISE SPECIFIED:	0 PLC ± -	1 PLC ± -	2 PLC ± .010	3 PLC ± -	4 PLC ± -	ANGLES ± 1'
-------------------------	--	-----------	-----------	--------------	-----------	-----------	-------------

MATERIAL SEE SPECIFICATION FINISH -

THIS DRAWING IS A CONTROLLED DOCUMENT. DIM M. BINNER 25JAN2007 CHK M. ZITTO 25JAN2007 APVD M. ZITTO 25JAN2007 NAME M. ZITTO

tyco Electronics Tyco Electronics Corporation Harrisburg, PA 17105-3608

PRODUCT SPEC SNAP ACTION PUSHBUTTON SWITCH MPS103D, MPS103F-WW, MPS203N, MPS203R-WW

APPLICATION SPEC

SIZE A1 CAGE CODE 00779 DRAWING NO 1825399 RESTRICTED TO

WEIGHT -

CUSTOMER DRAWING SCALE 4:1 SHEET 1 OF 1 REV A