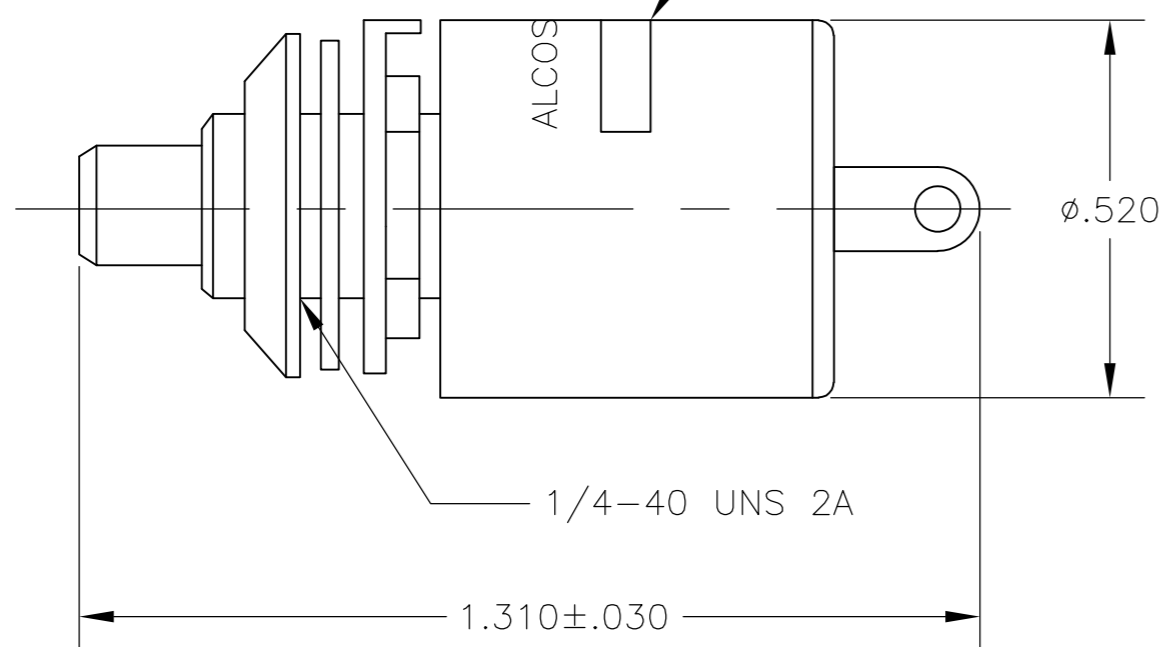
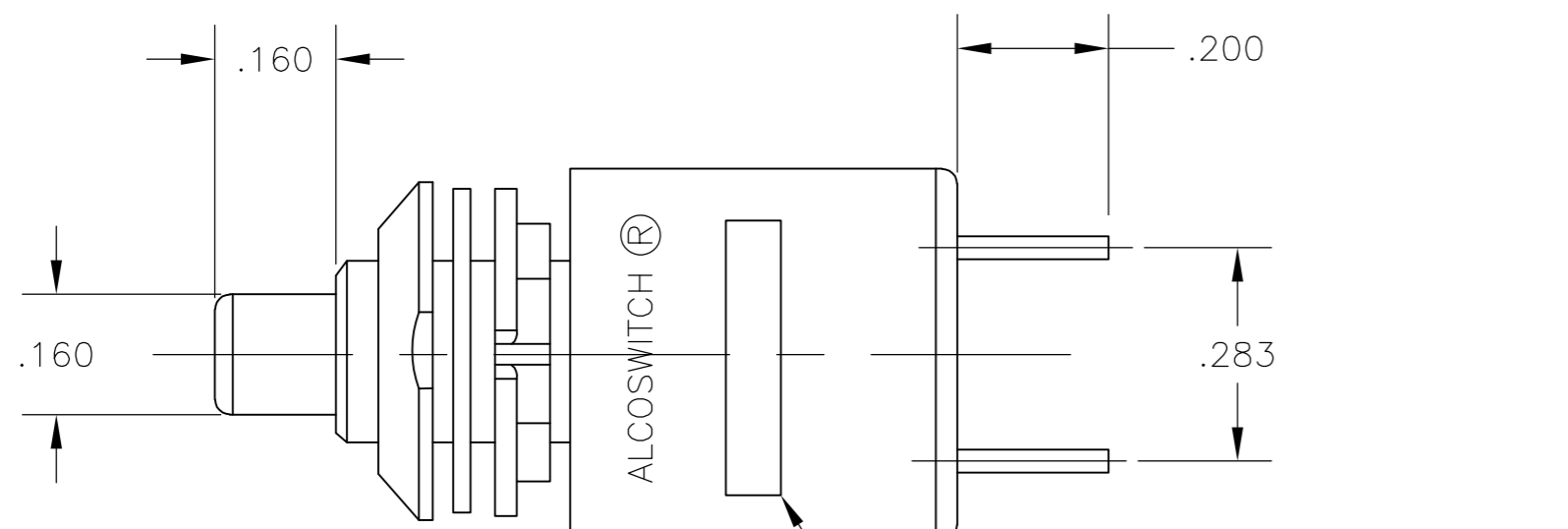
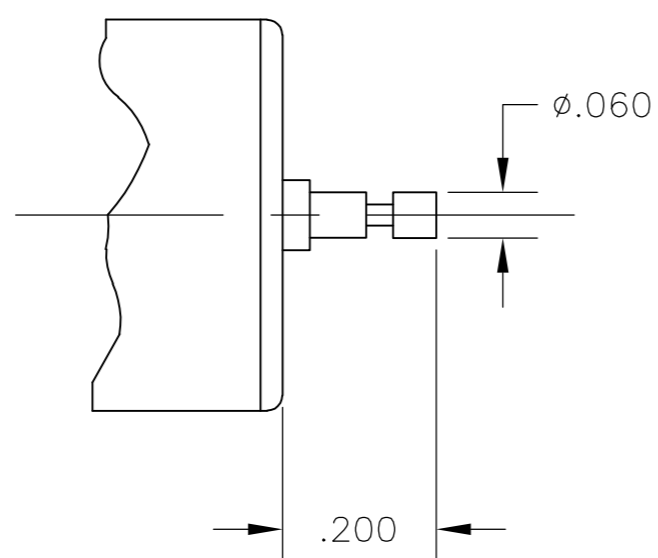


THIS DRAWING IS UNPUBLISHED. RELEASED FOR PUBLICATION
 © COPYRIGHT BY TYCO ELECTRONICS CORPORATION. ALL RIGHTS RESERVED.

LOC		DIST		REVISIONS			
AD	OO	P	LTR	DESCRIPTION	DATE	DWN	APVD
		A1		ECO-07-021992	18SEP07	MB	MW



LUG TERMINAL



PIN TERMINAL OPTION

NOTES:

1. TERMINAL NUMBERS ARE FOR REFERENCE ONLY AND DO NOT APPEAR ON SWITCHES.
2. EACH SWITCH SUPPLIED WITH THE FOLLOWING MOUNTING HARDWARE:
 (1) DECORATIVE NUT
 (1) HEX NUT
 (1) INTERNAL TOOTH LOCKWASHER
 (1) LOCATING RING
3. ALL MATERIALS AND FINISHES SHALL COMPLY WITH EU DIRECTIVE 2002/95/EC OF 27JAN2003 (ROHS).
4. LUG TERMINALS ACCEPT STANDARD .110 QUICK CONNECT RECEPTACLES. PIN TERMINALS USEABLE FOR PCB APPLICATIONS.

LUG	RED	NORMALLY OPEN	1	1	MSPM101CS104	1825539-4
PIN	RED	NORMALLY OPEN	1	1	MSPM101CS04	1825539-3
LUG	BLACK	NORMALLY CLOSED	1	1	MSPM101BS104	1825539-2
PIN	BLACK	NORMALLY CLOSED	1	1	MSPM101BS04	1825539-1
TERMINAL STYLE	CAP COLOR	ACTION	THROWS	POLES	ALCO P/N	TE P/N

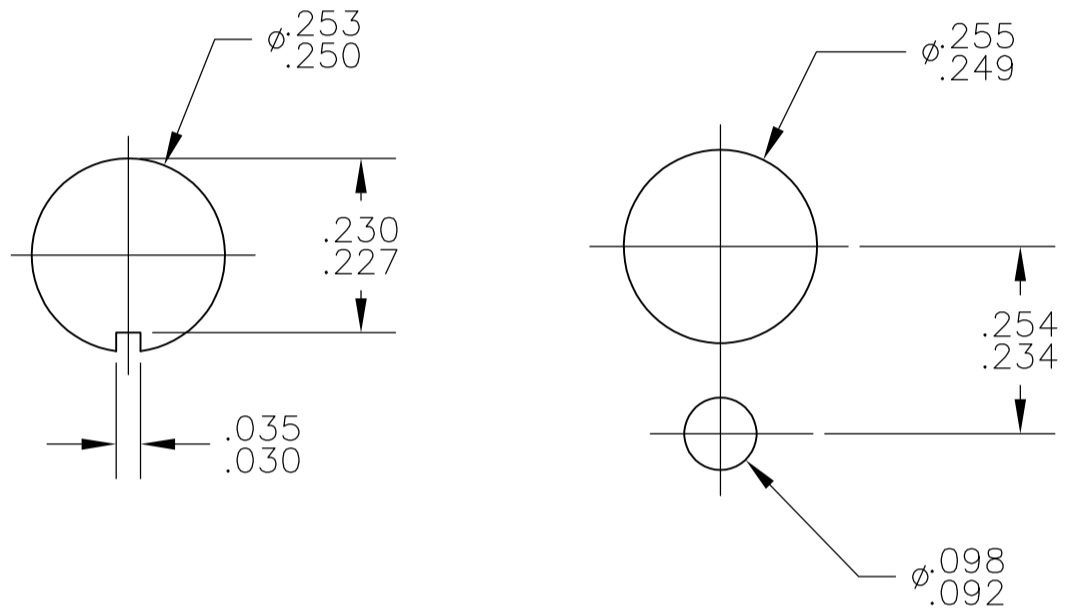
THIS DRAWING IS A CONTROLLED DOCUMENT.		DWN	14OCT92	Tyco Electronics Corporation Harrisburg, Pa 17105-3608		
DIMENSIONS: INCHES		CHK	15OCT92	Tyco Electronics		
TOLERANCES UNLESS OTHERWISE SPECIFIED:		APVD	19OCT92	NAME		
0 PLC ± -		RAY.D		J.JORDAN		
1 PLC ± -		PRODUCT SPEC		PUSH BUTTON SWITCH, MAGNETIC REED, HERMETICALLY SEALED, AUDIBLE DETENT		
2 PLC ± -		APPLICATION SPEC		-		
3 PLC ± .010		MATERIAL		SIZE	CAGE CODE	DRAWING NO
4 PLC ± -		FINISH		A2	00779	1825539
ANGLES ± 1°		SEE SPECIFICATIONS		RESTRICTED TO		
MATERIAL		WEIGHT		-		
SEE SPECIFICATIONS		CUSTOMER DRAWING		SCALE	SHEET	REV
				4:1	1 OF 2	A1

1825539

A

THIS DRAWING IS UNPUBLISHED. RELEASED FOR PUBLICATION
 © COPYRIGHT BY TYCO ELECTRONICS CORPORATION. ALL RIGHTS RESERVED.

LOC	DIST	REVISIONS			
P	LTR	DESCRIPTION	DATE	DWN	APVD
AD	00	SEE SHEET 1	-	-	-



RECOMMENDED HOLE LAYOUT
TO PREVENT ROTATION

MATERIALS		
COMPONENT NAME	BASE MATERIAL	FINISH
CASE	STEEL	
ACTUATOR BUTTON	POLYAMIDE, SEE CHART FOR COLOR	
MOVING CONTACT	COPPER ALLOY	GOLD OVER NICKEL
FIXED CONTACT	COPPER ALLOY	GOLD OVER NICKEL
TERMINALS	COPPER ALLOY	TIN OVER NICKEL

SPECIFICATIONS	
RATING	1.0VA OPTIMUM (100mA MAX., 50 VDC MAX.)
INITIAL CONTACT RESISTANCE	100 MILLIOHMS
INSULATION RESISTANCE	1000 MEGOHMS MIN.
DIELECTRIC WITHSTANDING VOLTAGE	1000 VRMS AT SEA LEVEL
DURABILITY	500000 CYCLES AT .1VA 50000 CYCLES AT 5VA
OPERATING FORCE	TACTILE KEYBOARD FEEL 4 TO 7 OZ. BREAKAWAY REDUCING IMMEDIATELY TO 1.5 OZ. FOLLOW-THROUGH
TRAVEL	.079 +/- .008
OPERATING TEMPERATURE	-10C TO +80C
STORAGE TEMPERATURE	-10C TO +80C

THIS DRAWING IS A CONTROLLED DOCUMENT.		DWN	14OCT92	Tyco Electronics Corporation Harrisburg, Pa 17105-3608
DIMENSIONS: INCHES		CHK	15OCT92	
TOLERANCES UNLESS OTHERWISE SPECIFIED:		APVD	19OCT92	
0 PLC ± - 1 PLC ± - 2 PLC ± - 3 PLC ± .010 4 PLC ± - ANGLES ± 1°		NAME	J.JORDAN	
MATERIAL SEE SPECIFICATIONS		FINISH	SEE SPECIFICATIONS	PRODUCT SPEC APPLICATION SPEC WEIGHT -
		CUSTOMER DRAWING		SIZE A2 CAGE CODE 00779 DRAWING NO. 1825539 RESTRICTED TO -
		SCALE	4:1	SHEET 2 OF 2 REV A1

1825539